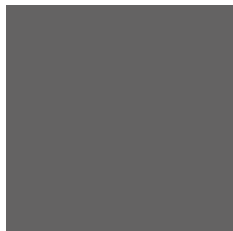
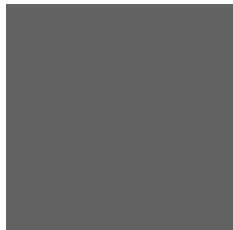


JOINON
CHARGE YOUR LIFE

Electric vehicle charging solutions

GEWISS



Ed. **01**
2021



GEWISS



integrity

We create value for our customers by offering innovative and scalable solutions for every type of context, connecting people and things, constantly **improving safety and quality of life**. We are guided every day by **strong integrity**, an innate **culture of excellence** and a propensity for **sustainability**.



excellence

GEWISS' story is a long entrepreneurial journey that stems from **brilliant product ideas** and is based on the ability to interpret contemporaneity and **foresee the future**. Everyday creating something better **than the day before** exploring innovative solutions and maximizing every single potential. This is our **culture of excellence**.



sustainability

We work to reduce waste and **efficiently manage human, natural and financial resources**. We aim to give this value to our people, our customers, communities and future generations.



JOINON
CHARGE YOUR LIFE

GEWISS

let's trace the way to smart mobility

JOINON is the solution for charging all electric vehicles, including both technological infrastructure of the product and its total management, technical assistance and maintenance. Starting from charging stations and App for smartphones and tablets to a platform for intelligent unit management - a complete system that makes **environmental sustainability a competitive success factor**.

A solution that has been designed for every need and transforms every place - from restaurant to hotel, from sports centre to stadium, from commercial shops to private home - into a privileged destination for drivers of electric vehicles.



Suitable for every electric vehicle



Ideal in any context



Equipped with exceptional robustness



Complete charging solution, thanks also to Cloud based Management Platform



summary

8

JoinOn

10

I-CON

- Concept
- Characteristics and benefits
- Smart charging management in domestic field

18

I-ON

- Concept
- Characteristics and benefits
- Smart charging Management in semi-public and public fieldi

26

services

28

JoinOn range and specifications

I-CON



new

I-CON wallbox

I-CON Wallboxes are characterized by small dimensions and sophisticated design, perfect for domestic and private contexts. They ensure fast, safe and reliable charging of any vehicle, in accordance with international safety standards.



new

I-CON premium wallbox

I-CON PREMIUM version is equipped with an innovative user interface system that allows you to view messages and to manage charging settings locally, immediately and intuitively.

I-ON



I-ON column

I-ON columns are designed for semi-public and public contexts, thanks to their high resistance to impact, chemical agents and mechanical stresses. The unique style, with an exclusive hexagonal shape, allows the products to be integrated into any parking configuration.



I-ON wall wallbox

I-ON WALL wallboxes are made painted anti-graffiti and anti-corrosion metal, making them suitable for public and semi-public contexts. Despite their small size, they can simultaneously charge up to two electric vehicles with a power up to 22 kW each.





services

management software and DLM

JoinOn charging stations can be equipped with the OCPP 1.6 communication kit, which allows them to be connected to JoinOn cloud management software, the platform used to supervise and control charging points remotely, with the best charging power management in both public and private environments (Dynamic Load Management System - DLM).



JoinOn ELECTRIC VEHICLE CHARGING SOLUTIONS



I-CON

I-CON wallbox is designed to be integrated into private and semi-public contexts. It stands out for its elegant and compact design, special “one-hand recharge” functionality, smart load management, Backlight advice, and various installation possibilities: wall-mounting, flush-mounting or floor-mounting.



The project has been developed with particular attention to sustainability and environmental impact, starting from the materials used to make the charging stations.



wall



flush-mounting



Backlight



floor-mounting



I-CON is available with **T2 socket** or **mobile T2 connector** and charging powers **up to 22 kW**. Depending on the application, the models differ for activating the charging process: **AUTOSTART**, **RFID** or **CLOUD**.

- **AUTOSTART:** AUTOSTART charging points are usable **by any user without authentication**. The start of a charging session with these stations, in fact, is **immediate and automatic with the connection of the electric vehicle**. This is the ideal solution for private contexts or in cases where you intend to prioritize simplicity of management and use, without providing a user management and control system and an accounting for recharges made.

- **RFID:** RFID equipped charging stations are ideal for ensuring **reserved access to charging points**. Their use, in fact, can be controlled through one or more **RFID cards**, that act as keys to activate the charging process.

- **CLOUD:** CLOUD version units are designed to offer a **fee based charging service**. Each charging station can be managed through a monitoring backend and its activation takes place with the related App, which allows users to geolocate the charging units directly from a mobile device.



PRIVATE



CONDOMINIUM



CORPORATE



SEMI-PUBLIC



PUBLIC

AUTOSTART



RFID



CLOUD





I-CON

characteristics and advantages

user benefits:
refined aesthetics and unique features



"one-hand" system, easy charging

- Charging your electric vehicle is even faster and more convenient. Thanks to the **"one-hand recharge"** functionality, it is possible to connect the charging socket using only one hand, so as to facilitate further unloading operations (shopping bags, packages, suitcases and more).

design suitable for every need

- The front of the I-CON charging units has an **elegant design**, suitable for all application contexts. If requested, the same can be realized with a **specific customization** to each customer's needs.
- In the version with cable included, the handle of the socket is made with a **practical and refined shape**, which improves the aesthetics of the entire product, as well as its functionality.
- I-CON is the only wall-box for domestic use that allows **flush-mounting installation**, with a minimum protrusion from the wall. A solution that enhances its forms without impacting the surroundings.
- If required, the wall-box can be equipped with a **LED system, called Backlight**, which highlights the position of the unit and its use.

intelligent charging management

- In private environments, the **Dynamic Load Management System (DLM) integrated** in the units dialogues with other household loads and allows the best charging power management, in order to avoid exceeding the maximum power available in the home.
- For semi-public applications, **Dynamic Load Management** allows you to manage the loads of one or more stations through the **OCPP protocol**.

intuitive charging interface

- **I-CON PREMIUM versions** are equipped with an innovative user interface system, composed of **display and touch slider**, which allows you to view messages and manage all charging settings locally, quickly and intuitively.
- DLM products can also be managed through an **App**, both for Android and iOS, that allows you to configure **charging settings as desired**.

protection and savings always assured

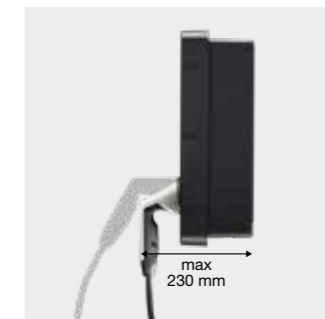
- All I-CON products are equipped with a **DC leakage device** for protection against direct current leakage device, that allows significant economic savings and absolute protection of electrical system and people.



"One-hand" charging



Backlight lighting



reduced wall protrusion



Smart App



I-CON

Characteristics and advantages

the advantages for the installer:
simplified installation and maintenance
with quality made in GEWISS



easy and flexible installation

- Each version of I-CON is compact and easy to install, thanks to the front opening with 1/4 turn screws and the water drainage system from the integrated charging socket.
- The exclusive flush-mounting installation with relative bottom is the perfect solution for domestic installations in new buildings.
- The wallbox can also be installed on the floor, with its single-sided or double-sided support.

facilitated maintenance

- Once opened, the front remains integral with the bottom thanks to a hinged system, designed to facilitate access inside the product.
- The configuration app makes it simple, immediate and intuitive to start up and maintain the charging station, giving you the possibility to update the firmware or perform a diagnostic conveniently from your smartphone, without having to disassemble the unit.

system in compliance with the law

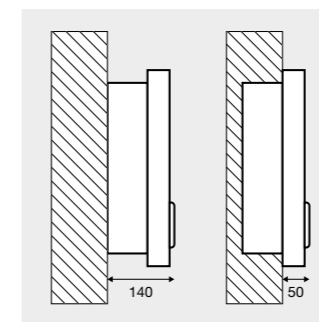
- According to actual regulation, the products are equipped with a device that ensures the interruption of the power supply in case of fault current in d.c. higher than 6 mA.

robust and protected devices

- The wallboxes have a high degree of robustness against impacts (IK10), in order to guarantee durability and resistance.
- I-CON also has the guarantee of the highest degree of protection against dust and liquid penetration available on the market today: IP55.
- The devices are made of high quality materials for both Indoor and Outdoor installations.



front opening



flush-mounting installation



IP55



floor-mounting installation

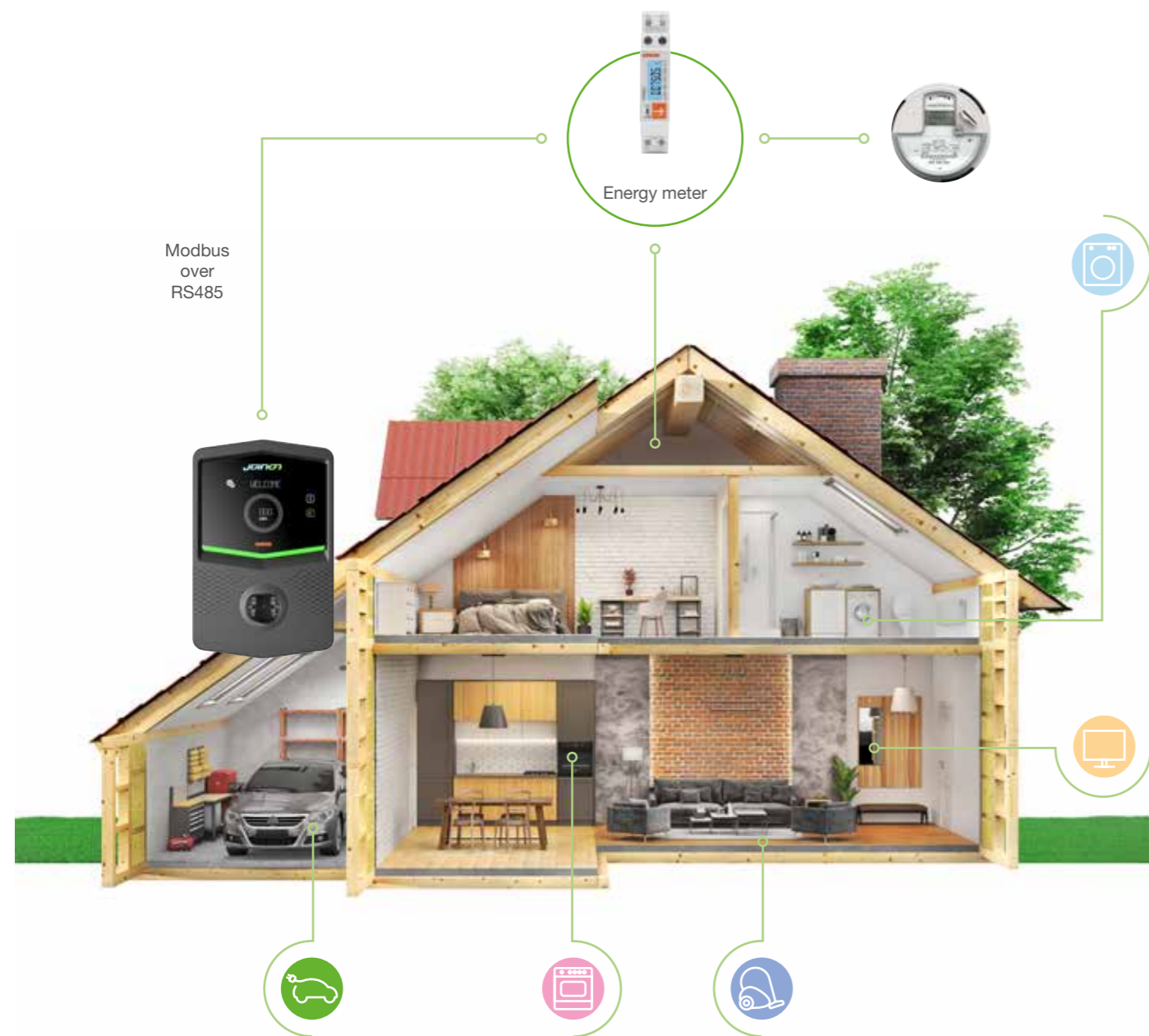


I-CON

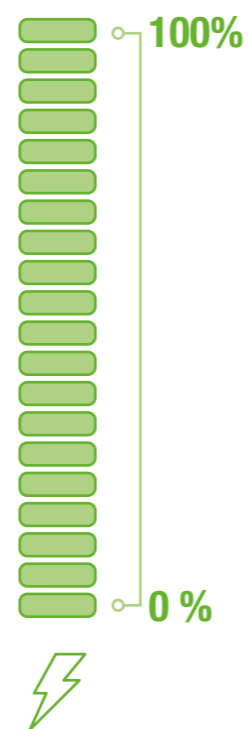
Dynamic Load Management: intelligent charging in households

Specifically designed for home charging, **the innovative DLM** system allows you to charge your electric vehicle at the maximum power available in your home without exceeding the limit imposed by the contract with your

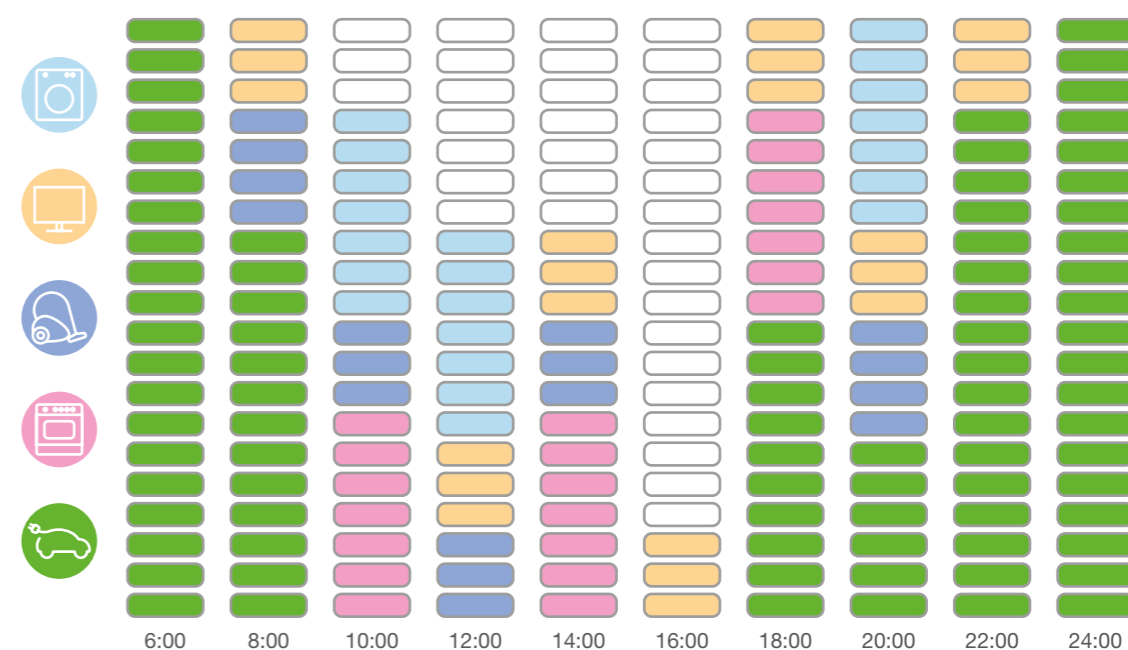
Energy Provider. The wallbox, in fact, independently increases or decreases the charging power of the electric vehicle according to the use of other household loads.



AVAILABLE POWER



CONSUMPTION MANAGEMENT WITH ACTIVE APPLIANCES



in the absence of other loads connected to the home meter, the wallbox can grant the electric vehicle the maximum power available. In times when household appliance consumption is higher, the wallbox decreases the charging power to not exceed the general meter limit.

I-ON range

I-ON charging stations, available for both floor and wall applications, are designed to adapt to **any urban context**, thanks to innovative design, **IP55 protection** and maximum resistance against shock, stress, vandalism and weather conditions.
I-ON HYPER DC charging stations with power up to 300 kW are also available on request.



I-ON



I-ON wall



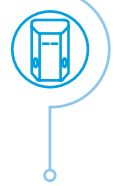
I-ON is available with **two Type 2 sockets with shutter** and charging powers **up to 22 kW** per socket. Depending on the application, the models differ for activating the charging process: **AUTOSTART, RFID or CLOUD**.

- **AUTOSTART:** AUTOSTART charging points are usable **by any user without authentication**. The start of charging with these stations, in fact, is **immediate and automatic with the connection of the electric vehicle**. This is the ideal solution for private contexts or in cases where you intend to prioritize simplicity of management and use, without providing authorization and billing specific services.

- **RFID:** RFID charging stations are ideal for ensuring **authorized access to charging points**. Their use, in fact, can be controlled through one or more **RFID cards**, which act as a key to start or stop the charging process.
- **CLOUD:** CLOUD version units are designed to offer a **charging service with billing option**. Each charging station can be controlled through a monitoring backEnd and its activation takes place with the related App, which allows users to geolocate the charging units directly from a mobile device.



	PRIVATE	CONDOMINIUM	CORPORATE	SEMI-PUBLIC	PUBLIC
AUTOSTART	█				
RFID	█	█	█	█	
CLOUD	█	█	█	█	█



I-ON

characteristics and advantages

user benefits:

attractive design suitable for any urban context



"one-hand" system easy charging

- Charging your electric vehicle is even faster and more convenient. Thanks to the **"one-hand recharge"** functionality, it is possible to connect the charging socket using only one hand, so as to facilitate further unloading operations (shopping bags, packages, suitcases and more).

design suitable for every need

- A unique style, with an exclusive hexagonal shape, capable to integrate perfectly into any parking configuration, even in Back To Back configuration with a considerable saving on installation costs.
- High-efficiency RGB LEDs, also visible remotely and from any side of the charging station.
- The front of the charging units has an **elegant design**, suitable for all application contexts. If requested, the same can be realized with a **specific customization** to each customer's needs.

guarantee of strength and protection

- Guarantee of total protection and durability over time, thanks to the high IP grade and the external anti-graffiti and anti-corrosion treatments that allow its installation in any context, even outdoors and public access.

intelligent charging management

- Ability to dynamically manage the loads of one or more stations through the OCPP protocol (DYNAMIC LOAD MANAGEMENT function) to ensure the best distribution of loads, avoiding peaks or overloads and optimizing the dimensioning costs of the electrical system.

total cost of ownership

- Guaranteed savings over the product life cycle, thanks also to the unified management of routine and extraordinary maintenance.
- Approved by Deutsche Telekom, which certifies its simplicity of maintenance and accessibility.



Back To Back installation



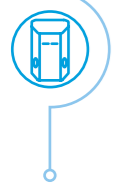
"One-hand" charging



resistance to weathering



fully customisable



I-ON

characteristics and advantages

advantages for the installer: maintainability, reliability and robustness



simplified maintenance and service

- Maintenance of charging points is simple, convenient and economical. Access to the electronic and electromechanical components is facilitated by their front position, while the internal wiring is tidy and clean, thanks to the use of window or blind panels with “Fast & Easy” system.
- Diagnosis in case of malfunctions is immediate and intuitive: the RGB LEDs signal a fault state and the display clearly communicates the type of error found for the fastest and most effective intervention possible.

mechanical strength and protection

- All versions of I-ON are machined with anti-graffiti paint and anti-corrosion treatment according to EN ISO 12944 resistant to corrosivity class C4.
- Guarantee of the highest degree of protection against dust and liquid penetration available on the market today (IP55) both plug-in and plug-out.

reduction of extraordinary interventions

- **Graffiti cleaning:** anti-graffiti paint applied to the external parts of the units facilitates cleaning operations without the need to replace dirty parts.
- **Resistance to corrosion:** the anti-corrosion treatment with which the products are machined guarantees superior resistance of the product over time Vandal
- **Socket:** the Type 2 socket with which the units are equipped are vandal-proof and made to resist to any mechanical stress.



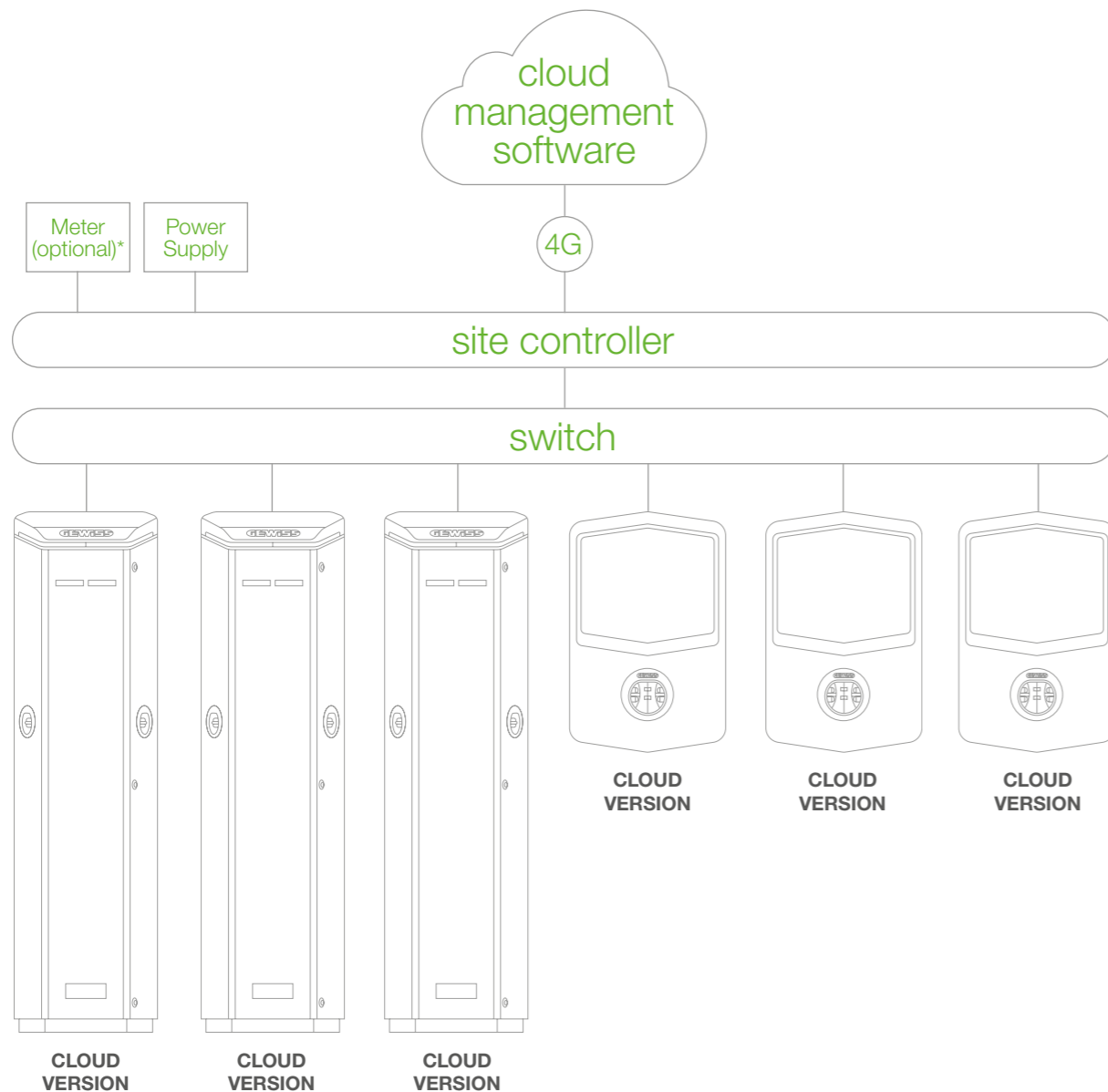


I-ON and I-CON

Dynamic Load Management: intelligent charging management in semi-public and public areas

Smart load management allows the **simultaneous management of up to 50 charging points** at a given site and optimally distributes the charging power available to the vehicles to be charged, avoiding large investments on the electrical system side (both the costs to adapt the system /cables to higher powers, and for a new contract with your energy supplier). The heart of smart load management is the **SITE CONTROLLER**. This device guarantees maintenance-

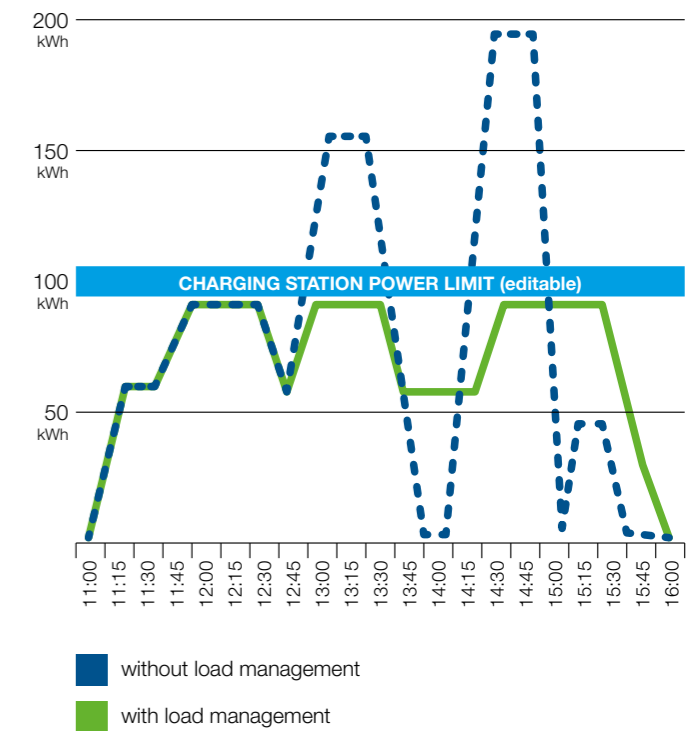
free and reliable operation of charging stations, and if you need to manage a greater number of charging points you can manage multiple Site Controllers at the same site. The Site Controller is managed through **the Cloud JoinOn software**, able both to control/monitor all charging stations and to modify the parameters/charging strategies of the Site Controller even remotely.



(*) The additional meter is used to account for consumption within the plant, and must be provided to manage the DYNAMIC LOAD MANAGEMENT functionality.

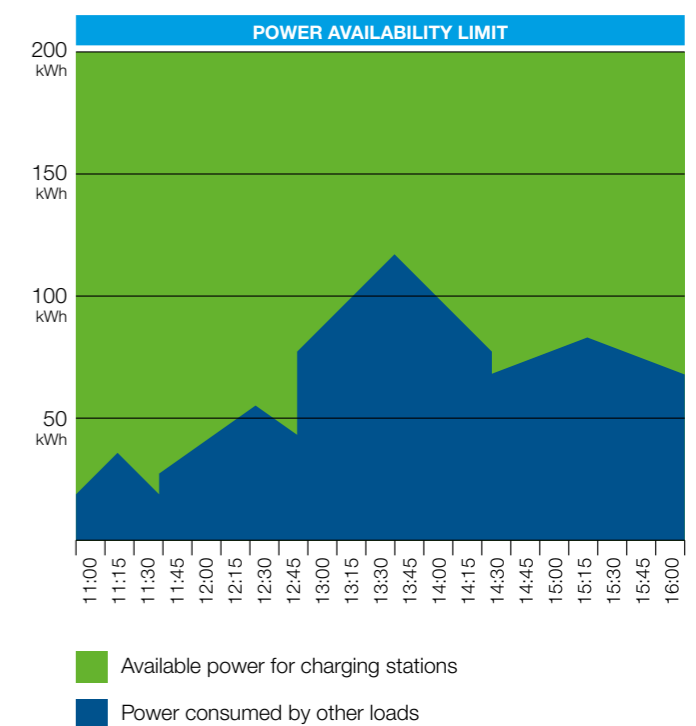
load management

Gewiss LOAD MANAGEMENT allows you to set a maximum power limit that can be delivered from charging stations. The system autonomously intervene to avoid exceeding the maximum power through different charging profiles, that can be set remotely. In this example, by setting the desired maximum current limit for all charging stations, LOAD MANAGEMENT prevents this threshold from being exceeded by lowering the charging current towards the individual stations.



dynamic load management

With this configuration it is possible to record the maximum power available in the system and, through the Site Controller, constantly monitor the consumption of all the remaining loads of the system, so as to know what is the remaining power to be used for the charging stations (this function requires an additional Gewiss approved TCP/IP energy meter). Thanks to this function, the best distribution of loads is ensured, avoiding peaks or overloads and optimizing the dimensioning costs of the electrical system. This option will be available from April 2021.





services

a network for every need

small net

network for private use

"Small Net" software is the ideal solution for all private or semi-public contexts that do not need to make charging stations visible to the public through geolocation Apps, but require a tool for supervision and control of their infrastructures. Thanks to Small Net it is possible to monitor the status of charging point, download reports, manage RFID cards and control the Load Management features to optimise installation costs.

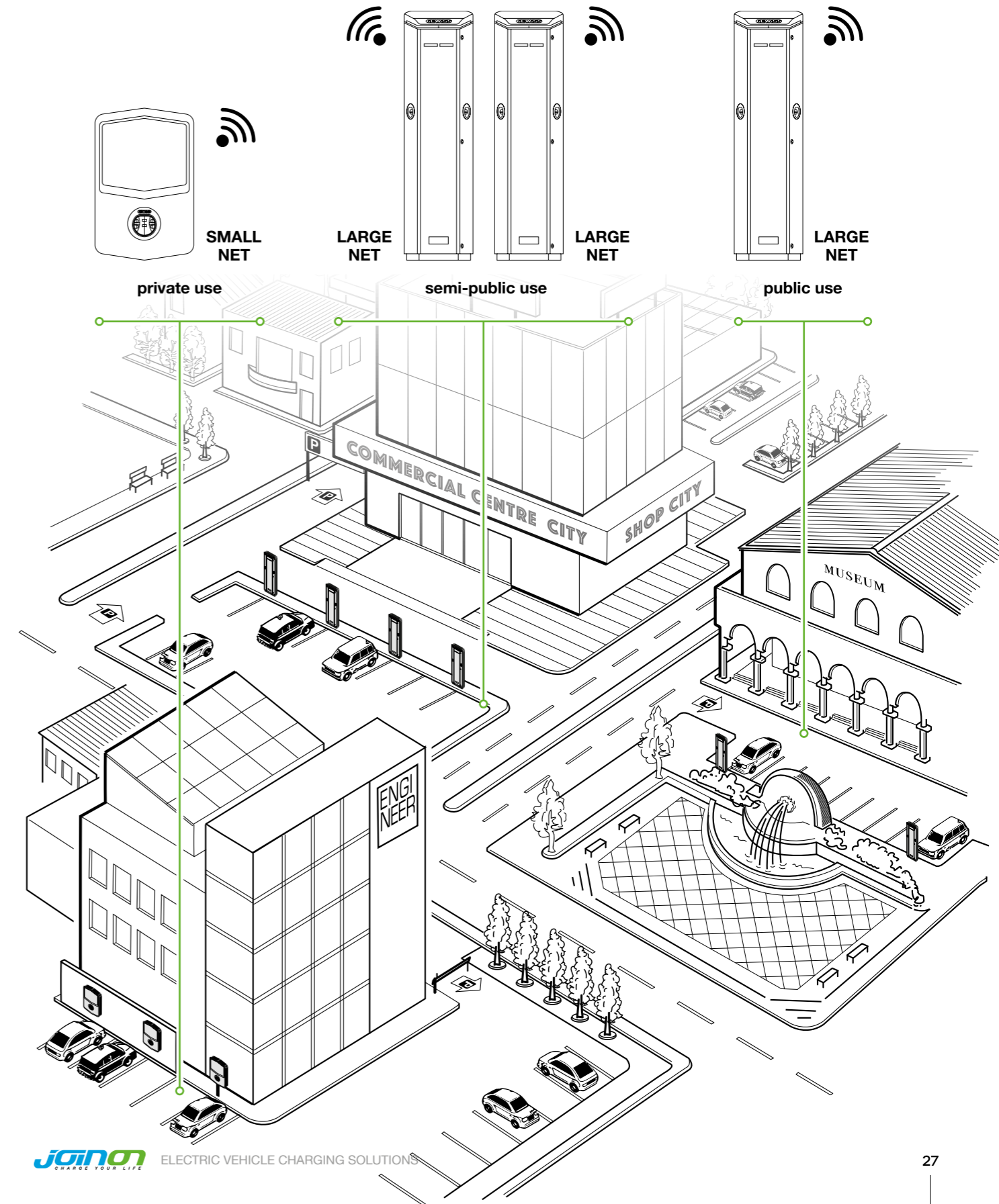
- CHARGING MONITORING
- REPORTING
- LOAD MANAGEMENT

large net

network for semi-public and public use

"Large Net" solution is ideal for semi-public and public contexts to give visibility and access to its charging stations to customers and visitors, offering a real EV charging service on the market. The JoinOn platform is open and interoperable with various international providers, and automatically collects revenue from charging generated through the JoinOn network (or through the roaming network) and returns it to charging station owners.

- RECHARGING MONITORING
- APP
- REPORTING
- ROAMING
- LOAD MANAGEMENT
- BILLING AND INVOICING



JOINON App

Thanks to JOINON App and its geolocation service, the e-driver can see the charging stations available in the Large Net network, their status (available or busy) and start charging.



I-CON

technical and commercial information

I-CON CHARGING SYSTEMS FOR ELECTRIC VEHICLES FOR PRIVATE AND/OR PUBLIC ACCESS MODE 3

AUTOSTART CHARGING ACTIVATION



GWJ 3004 A

I-CON WALLBOX - STAND-ALONE CHARGING STATION - IP55



Code	No. sockets Type 2	Charging power	Integrated Protections	Pack. Imb.
With T2 socket (one hand)				
GWJ 3001 A	1	4.6 kW	DC Leak 6mA	1
GWJ 3002 A	1	7,4 kW	DC Leak 6mA	1
GWJ 3003 A	1	11 kW	DC Leak 6mA	1
GWJ 3004 A	1	22 kW	DC Leak 6mA	1
With Mobile T2 connector				
GWJ 3011 A	1	4.6 kW	DC Leak 6mA	1
GWJ 3012 A	1	7,4 kW	DC Leak 6mA	1
GWJ 3013 A	1	11 kW	DC Leak 6mA	1
GWJ 3014 A	1	22 kW	DC Leak 6mA	1

CHARACTERISTICS: Anyone can use AN AUTOSTART station, charging starts automatically as soon as the electric vehicle is connected. Charging power can be partialised by means of a 3-position side selector. Customisable front on request. Possible flush-mount installation through support code GWJ8102 / GWJ8103.
EQUIPMENT: LED indicators indicating user status. Versions with mobile connector equipped with 5 meters of flat cable and integrated holder in the charging station.

DLM AUTOSTART CHARGING ACTIVATION



GWJ3112A

I-CON WALLBOX - DLM STAND-ALONE CHARGING STATION + BLUETOOTH - IP55



Code	No. sockets Type 2	Charging power	Integrated protections	Pack. Imb.
With T2 socket (one hand)				
GWJ 3101 A	1	4.6 kW	DC Leak 6mA	1
GWJ 3102 A	1	7,4 kW	DC Leak 6mA	1
GWJ 3103 A	1	11 kW	DC Leak 6mA	1
With Mobile T2 connector				
GWJ 3111 A	1	4.6 kW	DC Leak 6mA	1
GWJ 3112 A	1	7,4 kW	DC Leak 6mA	1
GWJ 3113 A	1	11 kW	DC Leak 6mA	1

CHARACTERISTICS: Anyone can use the AUTOSTART station, charging starts automatically as soon as the electric vehicle is connected. Bluetooth and App connection for parameter setting and local control unit, including charging power partialization and charging start management, deferred or instantaneous, or «Dynamic Load Management» by connecting an external meter via MODBUS RS485 line code GWD6812 for monophase version or GWD6817 for threephase version (to be purchased separately). Possible flush-mounting installation with relative bottom code GWJ8101, or floor mount installation through support code GWJ8102 / GWJ8103.
EQUIPMENT: LED indicators indicating user status. Enable/disable remote control with NA contact, potential-free. Versions with mobile connector equipped with 5 meters of flat cable and integrated holder in the charging station.



GWJ3212A

I-CON PREMIUM WALLBOX* - STAND-ALONE CHARGING STATION WITH DYNAMIC LOAD MANAGEMENT + BLUETOOTH - IP55



Code	No. sockets Type 2	Charging power	Integrated protections	Pack. Imb.
With T2 socket (one hand)				
GWJ 3201 A	1	4.6 kW	DC Leak 6mA	1
GWJ 3202 A	1	7,4 kW	DC Leak 6mA	1
GWJ 3203 A	1	11 kW	DC Leak 6mA	1
With Mobile T2 connector				
GWJ 3211 A	1	4.6 kW	DC Leak 6mA	1
GWJ 3212 A	1	7,4 kW	DC Leak 6mA	1
GWJ 3213 A	1	11 kW	DC Leak 6mA	1

CHARACTERISTICS: Anyone can use the AUTOSTART station, charging starts automatically as soon as the electric vehicle is connected. Bluetooth and App connection for parameter setting and local control unit, including charging power partialization and charging start management, deferred or instantaneous, or «Dynamic Load Management» by connecting an external meter via MODBUS RS485 line code GWD6812 for monophase version or GWD6817 for threephase version (to be purchased separately). Possible flush-mounting installation with relative bottom code GWJ8101, or floor mount installation through support code GWJ8102 / GWJ8103.
EQUIPMENT: LED indicators indicating user status. Enable/disable remote control with NA contact, potential-free. Display system with touch controls and backlit touch slider for user interface and display of messages and charging information. Versions with mobile connector equipped with 5 meters of flat cable and integrated holder in the charging station.
 (*) Available from April 2021



GWJ 3302 A

I-CON PREMIUM WALLBOX* - STAND-ALONE CHARGING STATION WITH DYNAMIC LOAD MANAGEMENT + BLUETOOTH + BACKLIGHT - IP55



Code	No. sockets Type 2	Charging power	Integrated protection	Backlight advice	Pack. Imb.
With T2 socket (one hand)					
GWJ 3301 A	1	4.6 kW	DC Leak 6mA	YES	1
GWJ 3302 A	1	7,4 kW	DC Leak 6mA	YES	1
GWJ 3303 A	1	11 kW	DC Leak 6mA	YES	1
With Mobile T2 connector					
GWJ 3311 A	1	4.6 kW	DC Leak 6mA	YES	1
GWJ 3312 A	1	7,4 kW	DC Leak 6mA	YES	1
GWJ 3313 A	1	11 kW	DC Leak 6mA	YES	1

CHARACTERISTICS: Anyone can use the AUTOSTART station, charging starts automatically as soon as the electric vehicle is connected. Bluetooth and App connection for parameter setting and local control unit, including charging power partialization and charging start management, deferred or instantaneous, or «Dynamic Load Management» by connecting an external meter via MODBUS RS485 line code GWD6812 for monophase version or GWD6817 for threephase version (to be purchased separately). Backlight function: The front status bar is also replicated rearward reflecting the color on the wall. Customizable front on request. Possible flush-mount installation through support code GWJ8102 / GWJ8103.
EQUIPMENT: LED indicators indicating user status. Enable/disable remote control with NA contact, potential-free. Display system with touch controls and backlit touch slider for user interface and display of messages and charging information. Versions with mobile connector equipped with 5 meters of flat cable and integrated holder in the charging station.
 (*) Available from April 2021



I-CON

technical and commercial information

RFID CHARGING ACTIVATION



GWJ 3004 R

I-CON WALLBOX - RFID STAND-ALONE CHARGING STATION - IP55

IP 55 **IK 10**

Code	No. sockets Type 2	Charging power	Integrated protections	Energy meter	RFID Reader	Pack. Imb.
With T2 socket (one hand)						
GWJ 3002 R	1	7,4 kW	DC Leak 6mA	NO	YES	1
GWJ 3004 R	1	22 kW	DC Leak 6mA	NO	YES	1
With Mobile T2 connector						
GWJ 3012 R	1	7,4 kW	DC Leak 6mA	NO	YES	1
GWJ 3014 R	1	22 kW	DC Leak 6mA	NO	YES	1

CHARACTERISTICS: Ideal charging stations to ensure reserved access to your own charging station through one or more RFID cards. Possibility to set the charging power by setting the parameters on the internal SD card, during installation.
Possible flush-mounting installation with relative bottom code GWJ8101, or floor mount installation through support code GWJ8102 / GWJ8103.
EQUIPMENT: LED indicators indicating user status. No. 1 RFID MASTER card, No. 2 user cards.
Versions with mobile connector equipped with 5 meters of flat cable and integrated holder in the charging station.



GWJ 3204 R

I-CON PREMIUM WALLBOX * - RFID STAND-ALONE CHARGING STATION - IP55

IP 55 **IK 10**

Code	No. sockets Type 2	Charging power	Integrated protections	Energy meter	RFID Reader	Pack. Imb.
With T2 socket (one hand)						
GWJ 3202 R	1	7,4 kW	DC Leak 6mA	YES (MID Type)	YES	1
GWJ 3204 R	1	22 kW	DC Leak 6mA	YES (MID Type)	YES	1
With Mobile T2 connector						
GWJ 3212 R	1	7,4 kW	DC Leak 6mA	YES (MID Type)	YES	1
GWJ 3214 R	1	22 kW	DC Leak 6mA	YES (MID Type)	YES	1

CHARACTERISTICS: Ideal charging stations to ensure reserved access to your own charging station through one or more RFID cards.
Possible flush-mounting installation with relative bottom code GWJ8101, or floor mount installation through support code GWJ8102 / GWJ8103.
EQUIPMENT: LED indicators indicating user status. No. 1 RFID MASTER card, No. 2 user cards.
Display system with touch controls and backlit touch slider for user interface and display of messages and charging information.
Versions with mobile connector equipped with 5 meters of flat cable and integrated holder in the charging station.
(* Available from April 2021)

CHARGING ACTIVATION WITH CLOUD AND APP MANAGEMENT SOFTWARE



GWJ3014L

I-CON WALLBOX - CHARGING STATION CONNECTABLE VIA OCPP 1.6 - ETHERNET - IP55

IP 55 **IK 10**

Code	No. sockets Type 2	Charging power	Integrated protections	Energy meter	RFID Reader	Pack. Imb.
With T2 socket (one hand)						
GWJ 3002 L	1	7,4 kW	DC Leak 6mA	YES (MID Type)	YES	1
GWJ 3004 L	1	22 kW	DC Leak 6mA	YES (MID Type)	YES	1
With Mobile T2 connector						
GWJ 3012 L	1	7,4 kW	DC Leak 6mA	YES (MID Type)	YES	1
GWJ 3014 L	1	22 kW	DC Leak 6mA	YES (MID Type)	YES	1

CHARACTERISTICS: Ideal charging stations to offer a charging service to the public for a fee. Each charging station can in fact be managed through a monitoring backEnd, and related App to allow Driver users to simply charge with their MobileApp.
Dynamic Load Management can be achieved using the GWJ8031 site controller kit that can be purchased separately and managed via OCPP 1.6 JSON.
Possible flush-mounting installation with relative bottom code GWJ8101, or floor mount installation through support code GWJ8102 / GWJ8103.
EQUIPMENT: LED indicators indicating user status. No. 1 RFID MASTER card, No. 2 user cards. Integrated Ethernet kit.
Versions with mobile connector equipped with 5 meters of flat cable and integrated holder in the charging station.



GWJ 3004 W

I-CON WALLBOX - CHARGING STATION CONNECTABLE VIA OCPP 1.6 ETHERNET + 4G MODEM - IP55

IP 55 **IK 10**

Code	No. sockets Type 2	Charging power	Integrated protections	Energy meter	RFID Reader	Pack. Imb.
With T2 socket (one hand)						
GWJ 3002 W	1	7,4 kW	DC Leak 6mA	YES (MID Type)	YES	1
GWJ 3004 W	1	22 kW	DC Leak 6mA	YES (MID Type)	YES	1
With Mobile T2 connector						
GWJ 3012 W	1	7,4 kW	DC Leak 6mA	YES (MID Type)	YES	1
GWJ 3014 W	1	22 kW	DC Leak 6mA	YES (MID Type)	YES	1

CHARACTERISTICS: Ideal charging stations to offer a charging service to the public for a fee. Each charging station can in fact be managed through a monitoring backEnd, and related App to allow Driver users to simply charge with their MobileApp.
Dynamic Load Management can be achieved using the GWJ8031 site controller kit that can be purchased separately and managed via OCPP 1.6 JSON.
Possible flush-mounting installation with relative bottom code GWJ8101, or floor mount installation through support code GWJ8102 / GWJ8103.
EQUIPMENT: LED indicators indicating user status. No. 1 RFID MASTER card, No. 2 user cards. Integrated ethernet + Modem 4G.
Versions with mobile connector equipped with 5 meters of flat cable and integrated holder in the charging station.
NOTES: In order to connect the charging stations to the JOINON management platform, commissioning, testing and After-Sales Service must also be listed during the commercial negotiation phase.



I-CON

technical and commercial information



GWJ3214L

I-CON PREMIUM WALLBOX * - CHARGING STATION CONNECTABLE VIA OCPP 1.6 - ETHERNET - IP55

IP 55	IK 10					
Code	No. sockets Type 2	Charging power	Integrated protections	Energy meter	RFID Reader	Pack. Imb.
With T2 socket (one hand)						
GWJ 3202 L	1	7,4 kW	DC Leak 6mA	YES (MID Type)	YES	1
GWJ 3204 L	1	22 kW	DC Leak 6mA	YES (MID Type)	YES	1
With Mobile T2 connector						
GWJ 3212 L	1	7,4 kW	DC Leak 6mA	YES (MID Type)	YES	1
GWJ 3214 L	1	22 kW	DC Leak 6mA	YES (MID Type)	YES	1

CHARACTERISTICS: Ideal charging stations to offer a charging service to the public for a fee. Each charging station can in fact be managed through a monitoring backEnd, and related App to allow Driver users to simply charge with their MobileApp.
 Dynamic Load Management can be achieved using the GWJ8031 site controller kit that can be purchased separately and managed via OCPP Jsn 1.6.
 Possible flush-mounting installation with relative bottom code GWJ8101, or floor mount installation through support code GWJ8102 / GWJ8103.
EQUIPMENT: LED indicators indicating user status. No. 1 RFID MASTER card, No. 2 user cards. Display system with touch controls and backlit touch slider for user interface and display of messages and charging information. Integrated Ethernet kit.
 Versions with mobile connector equipped with 5 meters of flat cable and integrated holder in the charging station.
NOTES: In order to connect the charging stations to the JOINON management platform, commissioning, testing and After-Sales Service must also be listed during the commercial negotiation phase.
 (*) Available from April 2021



GWJ 3204 W

I-CON PREMIUM WALLBOX * - CHARGING STATION CONNECTABLE VIA OCPP 1.6 ETHERNET + 4G MODEM - IP55

IP 55	IK 10					
Code	No. sockets Type 2	Charging power	Integrated protections	Energy meter	RFID Reader	Pack. Imb.
With T2 socket (one hand)						
GWJ 3202 W	1	7,4 kW	DC Leak 6mA	YES (MID Type)	YES	1
GWJ 3204 W	1	22 kW	DC Leak 6mA	YES (MID Type)	YES	1
With Mobile T2 connector						
GWJ 3212 W	1	7,4 kW	DC Leak 6mA	YES (MID Type)	YES	1
GWJ 3214 W	1	22 kW	DC Leak 6mA	YES (MID Type)	YES	1

CHARACTERISTICS: Ideal charging stations to offer a charging service to the public for a fee. Each charging station can in fact be managed through a monitoring backEnd, and related App to allow Driver users to simply charge with their MobileApp.
 Dynamic Load Management can be achieved using the GWJ8031 site controller kit that can be purchased separately and managed via OCPP 1.6 JSN.
 Possible flush-mounting installation with relative bottom code GWJ8101, or floor mount installation through support code GWJ8102 / GWJ8103.
EQUIPMENT: LED indicators indicating user status. No. 1 RFID MASTER card, No. 2 user cards. Display system with touch controls and backlit touch slider for user interface and display of messages and charging information. Integrated ethernet + Modem 4G.
 Versions with mobile connector equipped with 5 meters of flat cable and integrated holder in the charging station.
NOTES: In order to connect the charging stations to the JOINON management platform, commissioning, testing and After-Sales Service must also be listed during the commercial negotiation phase.
 (*) Available from April 2021

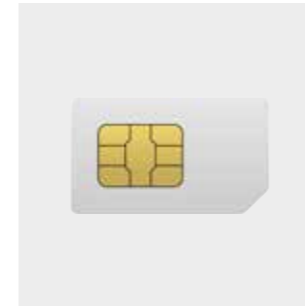
I-CON Accessories



GW J8 001

I-ON - STAND-ALONE CHARGING STATION - IP55

Code	Description	Suitable for	Pack. Imb.
GW J8 001	RFID card to enable charging process	I-CON WallBox with RFID reader	1



GWJ 8014

KIT FOR COMMUNICATION SYSTEM

Code	Description	Suitable for	Pack. Imb.
GWJ 8014	JoinOn Data SIM	I-CON Cloud WallBox	1
GWJ 8018	Configuration Cable Kit	I-CON WallBox	1

NOTES: GWJ8018 to be used in conjunction with the configuration software (also available on site: Gewiss.com) for changing the OCPP parameters necessary to connect the station with charging platforms and DLM management.



GWJ 8102

COMPLEMENTARY FLUSH INSTALLATION

Code	Description	Suitable for	Pack. Imb.
GWJ 8101	I-CON FLUSH-MOUNTING BOX	I-CON WallBox	1

NOTES: GWJ8101 not compatible with I-CON BASIC WallBox(Type GWJ30xx A) and I-CON PREMIUM WallBox DLM BACKLIGHT (Type GWJ 33xx A).



GWJ 8102

COMPLEMENTARY FLOOR-MOUNTING SUPPORT *

Code	Description	Suitable for	Pack. Imb.
GWJ 8102	I-CON Floor support - single-sided	I-CON WallBox	1
GWJ 8103	I-CON Floor support - double-sided	I-CON WallBox	1
GWJ 8104	I-CON Protection Cover	I-CON Wallbox on floor support	1

(*) Available from April 2021

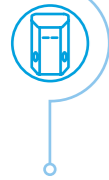


GWD 6812

LOAD MANAGEMENT

Code	Description	Suitable for	Pack. Imb.
GWD 6812	Energy meter single phase for DLM in Home field	I-CON Wallbox with DLM READY FUNCTION	1
GWD 6817	Energy meter three-phase for DLM in Home field	I-CON Wallbox with DLM READY FUNCTION	1
GWJ 8031	Site controller for DLM public environment	I-CON CLOUD wallbox connected to JoinOn platform	1
GWJ 8032	Modem site controller	Connect site controller without local connectivity	1

NOTES: For correct operation, a system managed by the Site Controller must also be equipped with a 12-24V DC power supply and a network switch for star connection with all EV charging stations managed in the system.
 The GWJ8032 Modem is not required if the charging site already has local connectivity.



I-ON

technical and commercial information

I-ON CHARGING SYSTEMS FOR ELECTRIC VEHICLES FOR PUBLIC ACCESS MODE 3

AUTOSTART CHARGING ACTIVATION



GW J1 003 A

I-ON - STAND-ALONE CHARGING STATION - IP55

IP 55 **IK 10**

Code	No. of Type 2 sockets	Charging power	Integrated protections	Energy meter	RFID Reader	Pack. Imb.
GW J1 001 A	2	7.4 kW + 7.4 kW	Magnetothermic + Diff. Type B	No.	No.	1
GW J1 002 A	2	11 kW + 11 kW	Magnetothermic + Diff. Type B	No.	No.	1
GW J1 003 A	2	22 kW + 22 kW	Magnetothermic + Diff. Type B	No.	No.	1

CHARACTERISTICS: the use of the AUTOSTART station is free for anyone, charging starts automatically as soon as the electric vehicle is connected.
EQUIPMENT: No. 2 TFT display with high brightness, LED indicators indicating user status, customizable front panel.



GW J2 103 A

I-ON WALL- WALL MOUNTING CHARGING STATION - IP55

IP 55 **IK 10**

Code	No. of Type 2 sockets	Charging power	Integrated protections	Energy meter	RFID Reader	Pack. Imb.
GW J2 101 A	2	7.4 kW + 7.4 kW	No.	No.	No.	1
GW J2 102 A	2	11 kW + 11 kW	No.	No.	No.	1
GW J2 103 A	2	22 kW + 22 kW	No.	No.	No.	1

CHARACTERISTICS: the use of the AUTOSTART station is free for anyone, charging starts automatically as soon as the electric vehicle is connected.
EQUIPMENT: No. 2 TFT display with high brightness, LED indicators indicating user status, customizable front panel.
NOTES: Magnetothermic RCCB switches must be ordered separately and provided in the upstream panel.

RFID CHARGING ACTIVATION



GW J1 003 R

I-ON - STAND-ALONE CHARGING STATION WITH CONTROLLED ACCESS - IP55

IP 55 **IK 10**

Code	No. of Type 2 sockets	Charging power	Integrated protections	Energy meter	RFID Reader	Pack. Imb.
GW J1 001 R	2	7.4 kW + 7.4 kW	Magnetothermic + Diff. Type B	YES (MID Type)	YES	1
GW J1 002 R	2	11 kW + 11 kW	Magnetothermic + Diff. Type B	YES (MID Type)	YES	1
GW J1 003 R	2	22 kW + 22 kW	Magnetothermic + Diff. Type B	YES (MID Type)	YES	1
GW J1 021 R	2 (+2 domestic socket Type F)	7.4 kW + 7.4 kW	Magnetothermic + Diff. Type B *	YES (MID Type)	YES	1
GW J1 023 R	2 (+2 domestic socket Type F)	22 kW + 22 kW	Magnetothermic + Diff. Type B *	YES (MID Type)	YES	1

CHARACTERISTICS: Ideal charging stations to ensure reserved access to your own charging station through one or more RFID cards.
EQUIPMENT: 2 TFT display with high brightness, LED indicators indicating user status, customizable front panel, 1 master RFID card + 2 personal RFID cards.
 (*) **NOTE:** Each domestic type F socket is equipped with dedicated Magnetothermic protection (10A) and contactor.



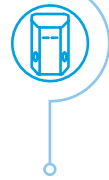
GW J2 103 R

I-ON WALL- WALL MOUNTING CHARGING STATION WITH CONTROLLED ACCESS - IP55

IP 55 **IK 10**

Code	No. of Type 2 sockets	Charging power	Integrated protections	Energy meter	RFID Reader	Pack. Imb.
GW J2 101 R	2	7.4 kW + 7.4 kW	No.	YES (MID Type)	YES	1
GW J2 102 R	2	11 kW + 11 kW	No.	YES (MID Type)	YES	1
GW J2 103 R	2	22 kW + 22 kW	No.	YES (MID Type)	YES	1
GW J2 121 R	1 (+1 domestic socket Type F)	7.4 kW + 2.3 kW	No.	YES (MID Type)	YES	1
GW J2 123 R	1 (+1 domestic socket Type F)	22 kW + 2.3 kW	No.	YES (MID Type)	YES	1

CHARACTERISTICS: Ideal charging stations to ensure reserved access to your own charging station through one or more RFID cards.
EQUIPMENT: No. 2 TFT display with high brightness, LED indicators indicating user status, customizable front panel, 1 master RFID card + 2 personal RFID cards and provide for installation in the upstream panel.



I-ON

technical and commercial information

CLOUD CHARGING ACTIVATION



GW J1 003 W

I-ON - FLOOR CHARGING STATION COMPATIBLE WITH OCPP 1.6 PROTOCOL AND CONNECTABLE TO MANAGEMENT SOFTWARE - IP55

Code	No. of Type 2 sockets	Charging power	Integrated protections	Energy meter	RFID Reader	Pack. Imb.
IP 55 IK 10						
Communication: ethernet						
GW J1 001 L	2	7.4 kW + 7.4 kW	Magnetothermic + Diff. Type B	YES (MID Type)	YES	1
GW J1 002 L	2	11 kW + 11 kW	Magnetothermic + Diff. Type B	YES (MID Type)	YES	1
GW J1 003 L	2	22 kW + 22 kW	Magnetothermic + Diff. Type B	YES (MID Type)	YES	1
Communication: 4G Ethernet and Modem Kit with Upgrade Antenna						
GW J1 001 W	2	7.4 kW + 7.4 kW	Magnetothermic + Diff. Type B	YES (MID Type)	YES	1
GW J1 002 W	2	11 kW + 11 kW	Magnetothermic + Diff. Type B	YES (MID Type)	YES	1
GW J1 003 W	2	22 kW + 22 kW	Magnetothermic + Diff. Type B	YES (MID Type)	YES	1
GW J1 021 W	2 (+2 domestic socket Type F)	7.4 kW + 7.4 kW	Magnetothermic + Diff. Type B*	YES (MID Type)	YES	1
GW J1 023 W	2 (+2 domestic socket Type F)	22 kW + 22 kW	Magnetothermic + Diff. Type B*	YES (MID Type)	YES	1

CHARACTERISTICS: Ideal charging stations to offer a charging service to the public for a fee. Each charging station can in fact be managed through a monitoring backEnd, and related App to allow Driver users to simply charge with their MobileApp.
EQUIPMENT: No. 2 TFT display with high brightness, LED indicators indicating user status, customizable front panel, 1 master RFID card + 2 personal RFID cards, 1 OCPP 1.6 JSON communication kit.
NOTES: In order to connect the charging stations to the JoinOn management platform, Commissioning, testing and After-Sales Service must also be listed during the commercial negotiation phase.
 (*) NOTE: Each domestic type F socket is equipped with dedicated Magnetothermic protection (10A) and contactor.



GW J2 103 W

I-ON WALL - WALL CHARGING STATION COMPATIBLE WITH OCPP 1.6 PROTOCOL AND CONNECTABLE TO MANAGEMENT SOFTWARE - IP55

Code	No. of Type 2 sockets	Charging power	Integrated protections	Energy meter	RFID Reader	Pack. Imb.
IP 55 IK 10						
Communication: ethernet						
GW J2 101 L	2	7.4 kW + 7.4 kW	No.	YES (MID Type)	YES	1
GW J2 102 L	2	11 kW + 11 kW	No.	YES (MID Type)	YES	1
GW J2 103 L	2	22 kW + 22 kW	No.	YES (MID Type)	YES	1
Communication: 4G Ethernet and Modem Kit with Upgrade Antenna						
GW J2 101 W	2	7.4 kW + 7.4 kW	No.	YES (MID Type)	YES	1
GW J2 102 W	2	11 kW + 11 kW	No.	YES (MID Type)	YES	1
GW J2 103 W	2	22 kW + 22 kW	No.	YES (MID Type)	YES	1
GW J2 121 W	1 (+1 domestic socket Type F)	7.4 kW + 2.3 kW	No.	YES (MID Type)	YES	1
GW J2 123 W	1 (+1 domestic socket Type F)	22 kW + 2.3 kW	No.	YES (MID Type)	YES	1

CHARACTERISTICS: Ideal charging stations to offer a charging service to the public for a fee. Each charging station can in fact be managed through a monitoring backEnd, and related App to allow Driver users to simply charge with their MobileApp.
EQUIPMENT: No. 2 TFT display with high brightness, LED indicators indicating user status, customizable front panel, 1 master RFID card + 2 personal RFID cards, 1 OCPP 1.6 JSON communication kit.
NOTES: Magnetothermic RCCB switches must be ordered separately and provided in the upstream panel. In order to connect the charging stations to the JoinOn management platform, Commissioning, testing and After-Sales Service must also be listed during the commercial negotiation phase.

I-ON Accessories



GW J8 001

I-ON - STAND-ALONE CHARGING STATION - IP55

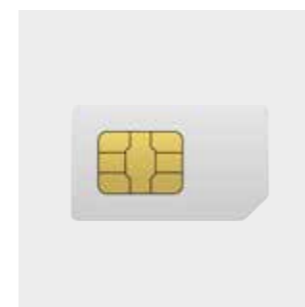
Code	Description	Suitable for	Pack. Imb.
GW J8 001	RFID card to enable charging process	I-ON and I.ON WALL with RFID Reader	1



GW J8 021

TECHNICAL INSTALLATION ACCESSORIES

Code	Description	Suitable for	Pack. Imb.
GWJ 8021	JOINON ground fixing plate	I-ON column	1
GW46551	JOINON pole support kit	I-ON wallbox	1



GWJ 8014

KIT FOR COMMUNICATION SYSTEM

Code	Description	Suitable for	Pack. Imb.
GWJ 8011	JOINON Ethernet kit	I.ON Column and I.ON Wallbox with RFID Reader	1
GWJ 8012	JOINON Ethernet + 4g modem + antenna kit	I.ON Column and I.ON Wallbox with RFID Reader	1
GWJ 8014	Joinon data SIM	I.ON Cloud Column and I.ON Cloud Wallbox	1
GWJ 8015	Column commissioning kit	I.ON Cloud Column	1
GWJ 8016	Wallbox commissioning kit	I.ON Cloud Wallbox	1
GWJ 8018	Configuration Cable Kit	I-ON Cloud and I-ON WALL Cloud	1

NOTES: The GWJ8011 and GWJ8012 codes allow you to upgrade RFID versions to CLOUD versions. The GWJ8015 and GWJ8016 codes include DATA SIMs, QR CODES for activating charging via Apps and JoinOn instructions stickers. The GWJ8018 code to be used in conjunction with the configuration software (also available on: Gewiss.com) for changing the OCPP parameters necessary to connect the station with charging platforms and DLM management.

LOAD MANAGEMENT

Code	Description	Suitable for	Pack. Imb.
GWJ 8031	Site controller for public environment	manage loads of 50 sockets at the same time	1
GWJ 8032	Modem site controller	Connect site controller without local connectivity	1

NOTES: For correct operation, a system managed by the Site Controller must also be equipped with a 12-24V DC power supply and a network switch for star connection with all EV charging stations managed in the system. The GWJ8032 Modem is not required if the charging site already has local connectivity. With the addition of a TCP-IP meter to be connected to the Site Controller, the latter will also be able to manage the loads according to the real availability of power in the system also considering all the other loads of the building (eg: air conditioning system, lights, other...). For any additional information, please contact Gewiss Support Center.



GWJ 8031



I-CON

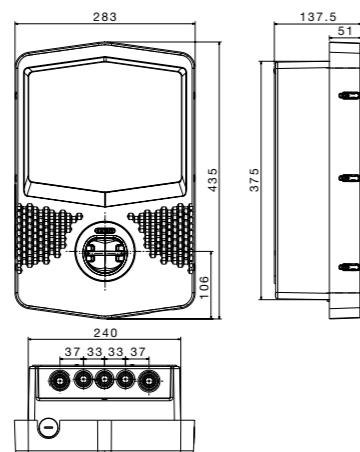
technical and dimensional information

I-CON AUTOSTART WITH SOCKET - TECHNICAL CHARACTERISTICS

CODE	GWJ 3001 A	GWJ 3002 A	GWJ 3003 A	GWJ 3004 A
Charging mode (EN 61851)	Mode 3	Mode 3	Mode 3	Mode 3
Charging socket (EN 62196)	Type 2	Type 2	Type 2	Type 2
Connector type	Socket (IPxxD)	Socket (IPxxD)	Socket (IPxxD)	Socket (IPxxD)
Cable Length (if available)	N/A	N/A	N/A	N/A
ELECTRICAL RATING				
Power terminal block	3 x 10 mm ²	3 x 10 mm ²	5 x 10 mm ²	5 x 10 mm ²
Rated voltage	230V	230V	400V	400V
Maximum Current	20A	32A	16A	32A
Maximum power	4.6 kW	7.4 kW	11 kW	22 kW
User protection	DC Leak 6mA	DC Leak 6mA	DC Leak 6mA	DC Leak 6mA
Energy measurement	-	-	-	-
Connectivity	-	-	-	-
Communication	-	-	-	-
Load management	Manual selector *	Manual selector *	Manual selector *	Manual selector *
Charging activation	FREE	FREE	FREE	FREE
Human Interface	LED	LED	LED	LED
MECHANICAL PROPERTIES				
Installation type	Wall-mounted (or floor with support)			
Material	Post-Industrial source thermoplastic			
IP protection	IP55			
Impact protection	IK10			
Operating temperature	-25°C / +50°C			
Available accessories				
Single-side floor support	GWJ 8102			
Double-sided floor support	GWJ 8103			
Protective cover	GWJ 8104			

(*) the selector allows to partialize the charging power: 100% - 60% - 30%.

DIMENSIONAL TABLES

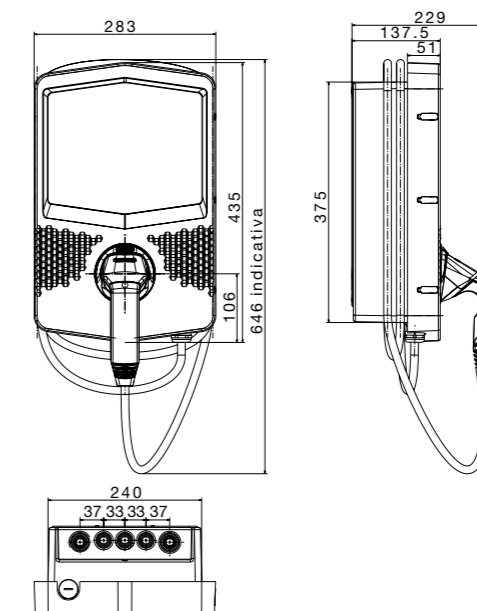


I-CON AUTOSTART WITH CABLE - TECHNICAL CHARACTERISTICS

CODE	GWJ 3011 A	GWJ 3012 A	GWJ 3013 A	GWJ 3014 A
Charging mode (EN 61851)	Mode 3	Mode 3	Mode 3	Mode 3
Charging socket (EN 62196)	Type 2	Type 2	Type 2	Type 2
Connector type	Mobile connector	Mobile connector	Mobile connector	Mobile connector
Cable Length (if available)	5 meters	5 meters	5 meters	5 meters
ELECTRICAL RATING				
Power terminal block	3 x 10 mm ²	3 x 10 mm ²	5 x 10 mm ²	5 x 10 mm ²
Rated voltage	230V	230V	400V	400V
Maximum Current	20A	32A	16A	32A
Maximum power	4.6 kW	7.4 kW	11 kW	22 kW
User protection	DC Leak 6mA	DC Leak 6mA	DC Leak 6mA	DC Leak 6mA
Energy measurement	-	-	-	-
Connectivity	-	-	-	-
Communication	-	-	-	-
Load management	Manual selector *	Manual selector *	Manual selector *	Manual selector *
Charging activation	FREE	FREE	FREE	FREE
Human Interface	LED	LED	LED	LED
MECHANICAL PROPERTIES				
Installation type	Wall-mounted (or floor with support)			
Material	Post-Industrial source thermoplastic			
IP protection	IP55			
Impact protection	IK10			
Operating temperature	-25°C / +50°C			
Available accessories				
Single-side floor support	GWJ 8102			
Double-sided floor support	GWJ 8103			
Protective cover	GWJ 8104			

(*) the selector allows to partialize the charging power: 100% - 60% - 30%.

DIMENSIONAL TABLES





I-CON

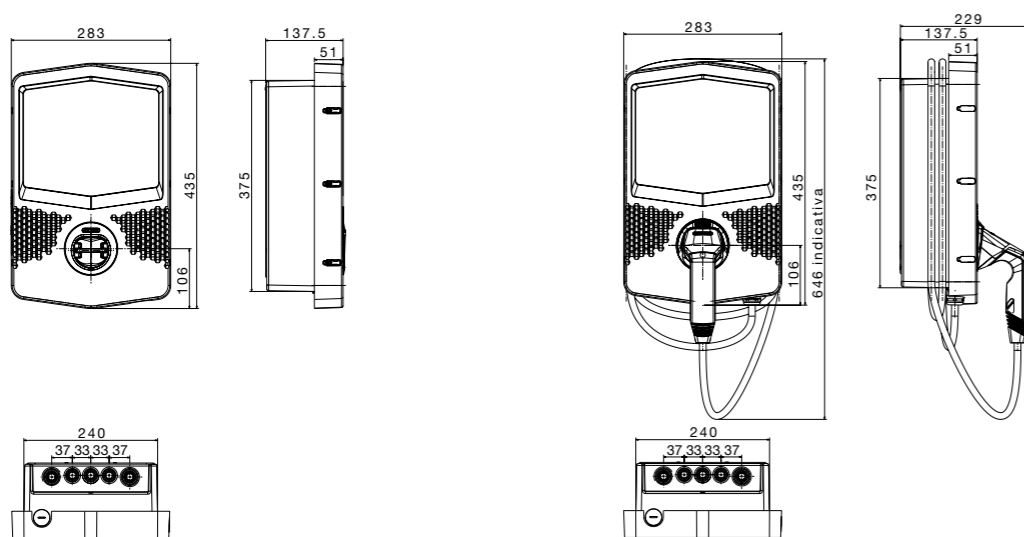
technical and dimensional information

I-CON AUTOSTART DLM - TECHNICAL CHARACTERISTICS

CODE	GWJ 3101 A	GWJ 3102 A	GWJ 3103 A	GWJ 3111 A	GWJ 3112 A	GWJ 3113 A
Charging mode (EN 61851)	Mode 3	Mode 3	Mode 3	Mode 3	Mode 3	Mode 3
Charging socket (EN 62196)	Type 2	Type 2	Type 2	Type 2	Type 2	Type 2
Connector type	Socket (IPxxD)	Socket (IPxxD)	Socket (IPxxD)	Mobile connector	Mobile connector	Mobile connector
Cable Length (if available)	N/A	N/A	N/A	5 meters	5 meters	5 meters
ELECTRICAL RATING						
Power terminal block	3 x 10 mm ²	3 x 10 mm ²	5 x 10 mm ²	3 x 10 mm ²	3 x 10 mm ²	5 x 10 mm ²
Rated voltage	230V	230V	400V	230V	230V	400V
Maximum Current	20A	32A	16A	20A	32A	16A
Maximum power	4.6 kW	7.4 kW	11 kW	4.6 kW	7.4 kW	11 kW
User protection	DC Leak 6mA	DC Leak 6mA	DC Leak 6mA	DC Leak 6mA	DC Leak 6mA	DC Leak 6mA
Energy measurement	-	-	-	-	-	-
Connectivity	BLE (Setup app)	BLE (Setup app)	BLE (Setup app)	BLE (Setup app)	BLE (Setup app)	BLE (Setup app)
Communication	-	-	-	-	-	-
Load management	ECO or DLM*	ECO or DLM*	ECO or DLM*	ECO or DLM*	ECO or DLM*	ECO or DLM*
Charging activation	FREE	FREE	FREE	FREE	FREE	FREE
Human Interface	LED	LED	LED	LED	LED	LED
MECHANICAL PROPERTIES						
Installation type	Wall-mounting (or flush-mounting with box, or floor with support)					
Material	Post-Industrial source thermoplastic					
IP protection	IP55					
Impact protection	IK10					
Operating temperature	-25°C / +50°C					
Available accessories						
Load management kit for home environment	GWD 6812 single phase - GWD6817 three phase					
Flush-mounting box	GWJ 8101					
Single-side floor support	GWJ 8102					
Double-sided floor support	GWJ 8103					
Protective cover	GWJ 8104					

(* The ECO operation mode, set by default on the product, allows you to set the desired charging current and an operating time range. The DLM mode modulates the charging power according to the power used by the household system. To implement this logic it is necessary to install and connect an external meter GWD6812 for single phase version or GWD6817 for three phases version (to be purchased separately) to the charging station. The connection between the external meter and the charging station takes place on Modbus RS485 line.

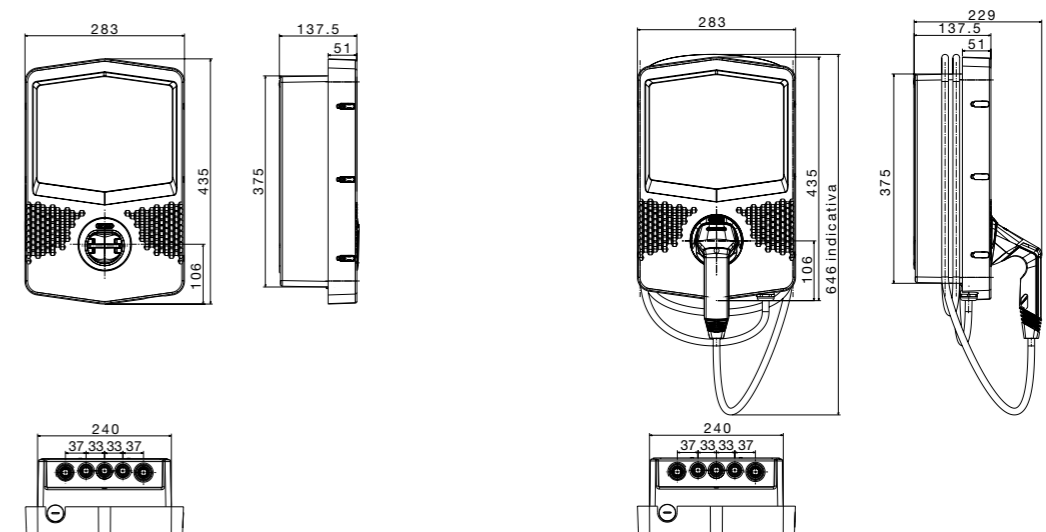
DIMENSIONAL TABLES



I-CON RFID - TECHNICAL CHARACTERISTICS

CODE	GWJ 3002 R	GWJ 3004 R	GWJ 3012 R	GWJ 3014 R
Charging mode (EN 61851)	Mode 3	Mode 3	Mode 3	Mode 3
Charging socket (EN 62196)	Type 2	Type 2	Type 2	Type 2
Connector type	Socket (IPxxD)	Socket (IPxxD)	Mobile connector	Mobile connector
Cable Length (if available)	N/A	N/A	5 meters	5 meters
ELECTRICAL RATING				
Power terminal block	3 x 10 mm ²	5 x 10 mm ²	3 x 10 mm ²	5 x 10 mm ²
Rated voltage	230V	400V	230V	400V
Maximum Current	32A	32A	32A	32A
Maximum power	7.4 kW	22 kW	7.4 kW	22 kW
User protection	DC Leak 6mA	DC Leak 6mA	DC Leak 6mA	DC Leak 6mA
Energy measurement	-	-	-	-
Connectivity	-	-	-	-
Communication	-	-	-	-
Load management	-	-	-	-
Charging activation	RFID	RFID	RFID	RFID
Human Interface	LED	LED	LED	LED
MECHANICAL PROPERTIES				
Installation type	Wall-mounting (or flush-mounting with box, or floor with support)			
Material	Post-Industrial source thermoplastic			
IP protection	IP55			
Impact protection	IK10			
Operating temperature	-25°C / +50°C			
Available accessories				
Flush-mounting box	GWJ 8101			
Single-side floor support	GWJ 8102			
Double-sided floor support	GWJ 8103			
Protective cover	GWJ 8104			
RFID card	GWJ 8001			

DIMENSIONAL TABLES





I-CON

technical and dimensional information

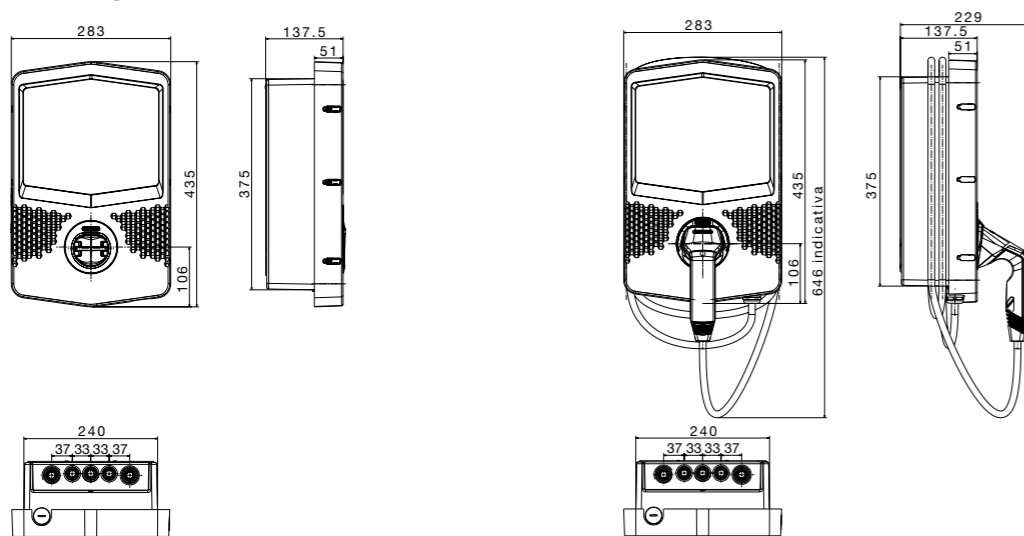
I-CON CLOUD - TECHNICAL CHARACTERISTICS

CODE	GWJ 3002 L GWJ 3002 W	GWJ 3004 L GWJ 3004 W	GWJ 3012 L GWJ 3012 W	GWJ 3014 L GWJ 3014 W
Charging mode (EN 61851)	Mode 3	Mode 3	Mode 3	Mode 3
Charging socket (EN 62196)	Type 2	Type 2	Type 2	Type 2
Connector type	Socket (IPxxD)	Socket (IPxxD)	Mobile connector	Mobile connector
Cable Length (if available)	N/A	N/A	5 meters	5 meters
ELECTRICAL RATING				
Power terminal block	3 x 10 mm ²	5 x 10 mm ²	3 x 10 mm ²	5 x 10 mm ²
Rated voltage	230V	400V	230V	400V
Maximum Current	32A	32A	32A	32A
Maximum power	7.4 kW	22 kW	7.4 kW	22 kW
User protection	DC Leak 6mA	DC Leak 6mA	DC Leak 6mA	DC Leak 6mA
Energy metering	Meter MID	Meter MID	Meter MID	Meter MID
Connectivity	ETH / Router 4G*	ETH / Router 4G*	ETH / Router 4G*	ETH / Router 4G*
Communication	OCPP 1.6 J	OCPP 1.6 J	OCPP 1.6 J	OCPP 1.6 J
Load management	Via OCPP with dedicated profile **	Via OCPP with dedicated profile **	Via OCPP with dedicated profile **	Via OCPP with dedicated profile **
Charging activation	RFID / APP	RFID / APP	RFID / APP	RFID / APP
Human Interface	LED	LED	LED	LED
MECHANICAL PROPERTIES				
Installation type	Wall-mounting (or flush-mounting with box, or floor with support)			
Material	Post-Industrial source thermoplastic			
IP protection	IP55			
Impact protection	IK10			
Operating temperature	-25°C / +50°C			
Available accessories				
Load management kit for public environment	GWJ 8031			
Flush-mounting box	GWJ 8101			
Single-side floor support	GWJ 8102			
Double-sided floor support	GWJ 8103			
Protective cover	GWJ 8104			
RFID card	GWJ 8001			

(*) Router 4G available in the codes with final termination "W".

(**) The OCPP protocol, through the SMART CHARGING profile, allows the management of charging power dynamically.

DIMENSIONAL TABLES



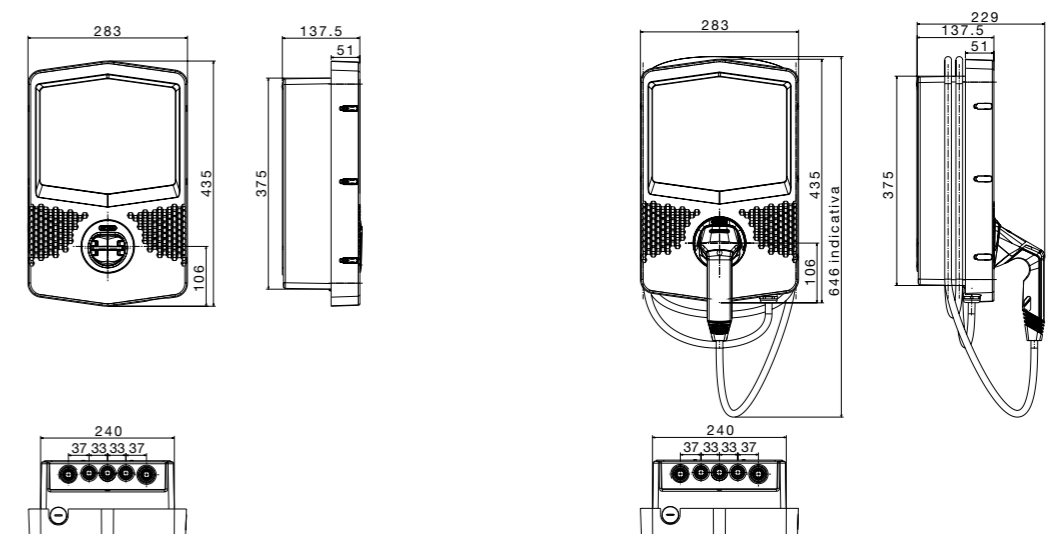
I-CON PREMIUM

I-CON PREMIUM AUTOSTART DLM - TECHNICAL CHARACTERISTICS

CODE	GWJ 3201 A	GWJ 3202 A	GWJ 3203 A	GWJ 3211 A	GWJ 3212 A	GWJ 3213 A
Charging mode (EN 61851)	Mode 3	Mode 3	Mode 3	Mode 3	Mode 3	Mode 3
Charging socket (EN 62196)	Type 2	Type 2	Type 2	Type 2	Type 2	Type 2
Connector type	Socket (IPxxD)	Socket (IPxxD)	Socket (IPxxD)	Mobile connector	Mobile connector	Mobile connector
Cable Length (if available)	N/A	N/A	N/A	5 meters	5 meters	5 meters
ELECTRICAL RATING						
Power terminal block	3 x 10 mm ²	3 x 10 mm ²	5 x 10 mm ²	3 x 10 mm ²	3 x 10 mm ²	5 x 10 mm ²
Rated voltage	230V	230V	400V	230V	230V	400V
Maximum Current	20A	32A	16A	20A	32A	16A
Maximum power	4.6 kW	7.4 kW	11 kW	4.6 kW	7.4 kW	11 kW
User protection	DC Leak 6mA	DC Leak 6mA	DC Leak 6mA	DC Leak 6mA	DC Leak 6mA	DC Leak 6mA
Energy measurement	-	-	-	-	-	-
Connectivity	BLE (Setup app)	BLE (Setup app)	BLE (Setup app)	BLE (Setup app)	BLE (Setup app)	BLE (Setup app)
Communication	-	-	-	-	-	-
Load management	ECO or DLM*	ECO or DLM*	ECO or DLM*	ECO or DLM*	ECO or DLM*	ECO or DLM*
Charging activation	FREE	FREE	FREE	FREE	FREE	FREE
Human Interface	Display + Slider touch	Display + Slider touch	Display + Slider touch	Display + Slider touch	Display + Slider touch	Display + Slider touch
MECHANICAL PROPERTIES						
Installation type	Wall-mounting (or flush-mounting with box, or floor with support)					
Material	Post-Industrial source thermoplastic					
IP protection	IP55					
Impact protection	IK10					
Operating temperature	-25°C / +50°C					
Available accessories						
Load management kit for home environment	GWD 6812 single phase - GWD6817 three phase					
Flush-mounting box	GWJ 8101					
Single-side floor support	GWJ 8102					
Double-sided floor support	GWJ 8103					
Protective cover	GWJ 8104					

(*) The ECO operation mode, set by default on the product, allows you to set the desired charging current and an operating time range. The DLM mode modulates the charging power according to the power used by the household system. To implement this logic it is necessary to install and connect an external meter GWD6812 for single phase version or GWD6817 for three phases version (to be purchased separately) to the charging station. The connection between the external meter and the charging station takes place on Modbus RS485 line.

DIMENSIONAL TABLES





I-CON

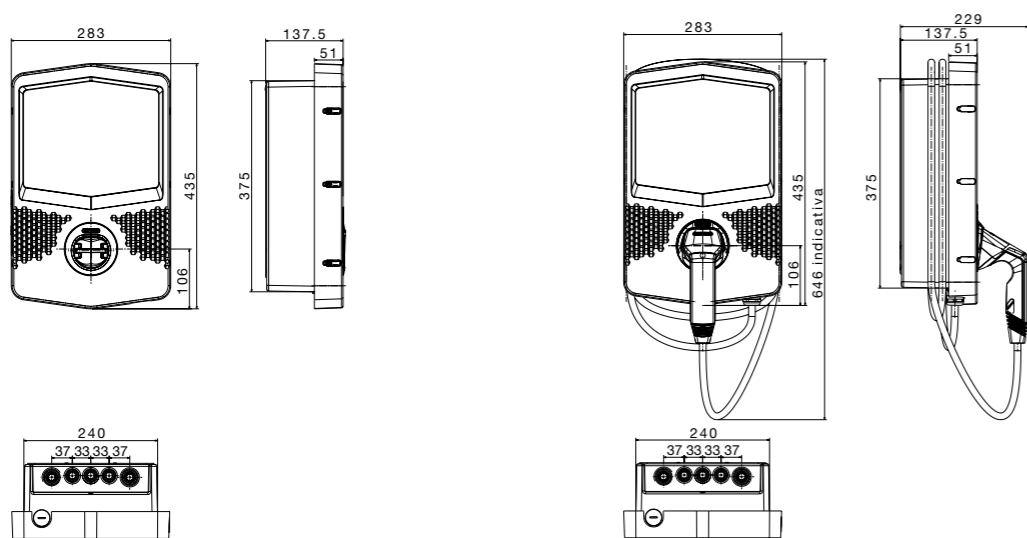
technical and dimensional information

I-CON PREMIUM AUTOSTART DLM BACKLIGHT - TECHNICAL CHARACTERISTICS

CODE	GWJ 3301 A	GWJ 3302 A	GWJ 3303 A	GWJ 3311 A	GWJ 3312 A	GWJ 3313 A
Charging mode (EN 61851)	Mode 3	Mode 3	Mode 3	Mode 3	Mode 3	Mode 3
Charging socket (EN 62196)	Type 2	Type 2	Type 2	Type 2	Type 2	Type 2
Connector type	Socket (IPxD)	Socket (IPxD)	Socket (IPxD)	Mobile connector	Mobile connector	Mobile connector
Cable Length (if available)	N/A	N/A	N/A	5 meters	5 meters	5 meters
ELECTRICAL RATING						
Power terminal block	3 x 10 mm ²	3 x 10 mm ²	5 x 10 mm ²	3 x 10 mm ²	3 x 10 mm ²	5 x 10 mm ²
Rated voltage	230V	230V	400V	230V	230V	400V
Maximum Current	20A	32A	16A	20A	32A	16A
Maximum power	4.6 kW	7.4 kW	11 kW	4.6 kW	7.4 kW	11 kW
User protection	DC Leak 6mA	DC Leak 6mA	DC Leak 6mA	DC Leak 6mA	DC Leak 6mA	DC Leak 6mA
Energy measurement	-	-	-	-	-	-
Connectivity	BLE (Setup app)	BLE (Setup app)	BLE (Setup app)	BLE (Setup app)	BLE (Setup app)	BLE (Setup app)
Communication	-	-	-	-	-	-
Load management	ECO or DLM*	ECO or DLM*	ECO or DLM*	ECO or DLM*	ECO or DLM*	ECO or DLM*
Charging activation	FREE	FREE	FREE	FREE	FREE	FREE
Human Interface	Display + Slider touch	Display + Slider touch	Display + Slider touch	Display + Slider touch	Display + Slider touch	Display + Slider touch
Lighting system	Backlight**	Backlight**	Backlight**	Backlight**	Backlight**	Backlight**
MECHANICAL PROPERTIES						
Installation type	Wall-mounted (or floor with support)					
Material	Post-Industrial source thermoplastic					
IP protection	IP55					
Impact protection	IK10					
Operating temperature	-25°C / +50°C					
Available accessories						
Load management kit for home environment	GWD 6812 single phase - GWD6817 three phase					
Single-side floor support	GWJ 8102					
Double-sided floor support	GWJ 8103					
Protective cover	GWJ 8104					

(*) The ECO operation mode, set by default on the product, allows you to set the desired charging current and an operating time range. The DLM mode modulates the charging power according to the power used by the household system. In order to implement this logic, it is necessary to install and connect an external meter GWD6812 for single phase version or GWD6817 for three phases version (to be purchased separately) to the charging station. The connection between the external meter and the charging station takes place on Modbus RS485 line.
 (**) Backlight lighting system: The front status bar is also replicated rearward reflecting the color on the installation wall.

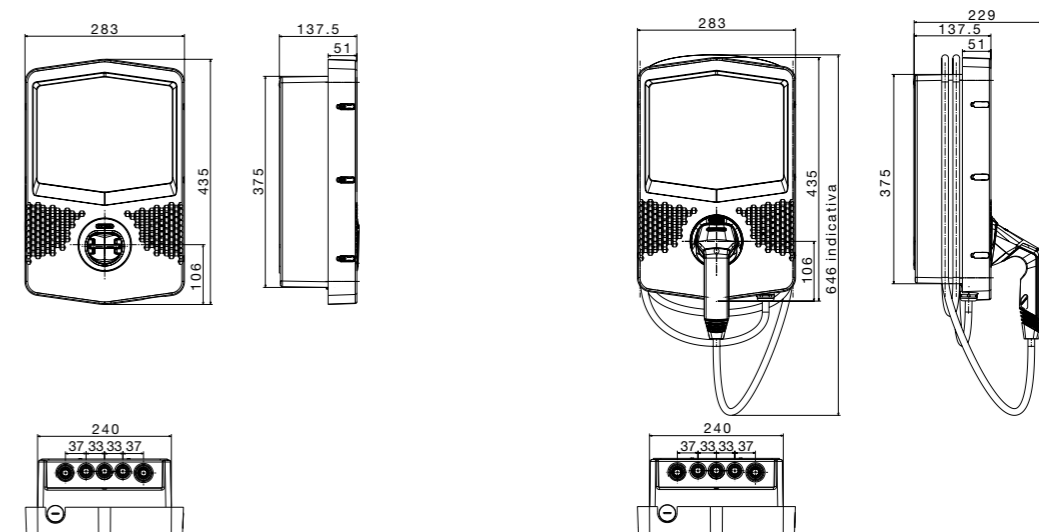
DIMENSIONAL TABLES



I-CON PREMIUM RFID - TECHNICAL CHARACTERISTICS

CODE	GWJ 3202 R	GWJ 3204 R	GWJ 3212 R	GWJ 3214 R
Charging mode (EN 61851)	Mode 3	Mode 3	Mode 3	Mode 3
Charging socket (EN 62196)	Type 2	Type 2	Type 2	Type 2
Connector type	Socket (IPxD)	Socket (IPxD)	Mobile connector	Mobile connector
Cable Length (if available)	N/A	N/A	5 meters	5 meters
ELECTRICAL RATING				
Power terminal block	3 x 10 mm ²	5 x 10 mm ²	3 x 10 mm ²	5 x 10 mm ²
Rated voltage	230V	400V	230V	400V
Maximum Current	32A	32A	32A	32A
Maximum power	7.4 kW	22 kW	7.4 kW	22 kW
User protection	DC Leak 6mA	DC Leak 6mA	DC Leak 6mA	DC Leak 6mA
Energy metering	Meter MID	Meter MID	Meter MID	Meter MID
Connectivity	-	-	-	-
Communication	-	-	-	-
Load management	-	-	-	-
Charging activation	RFID	RFID	RFID	RFID
Human Interface	Display + Slider touch	Display + Slider touch	Display + Slider touch	Display + Slider touch
MECHANICAL PROPERTIES				
Installation type	Wall-mounting (or flush-mounting with box, or floor with support)			
Material	Post-Industrial source thermoplastic			
IP protection	IP55			
Impact protection	IK10			
Operating temperature	-25°C / +50°C			
Available accessories				
Flush-mounting box	GWJ 8101			
Single-side floor support	GWJ 8102			
Double-sided floor support	GWJ 8103			
Protective cover	GWJ 8104			
RFID card	GWJ 8001			

DIMENSIONAL TABLES





I-CON

technical and dimensional information

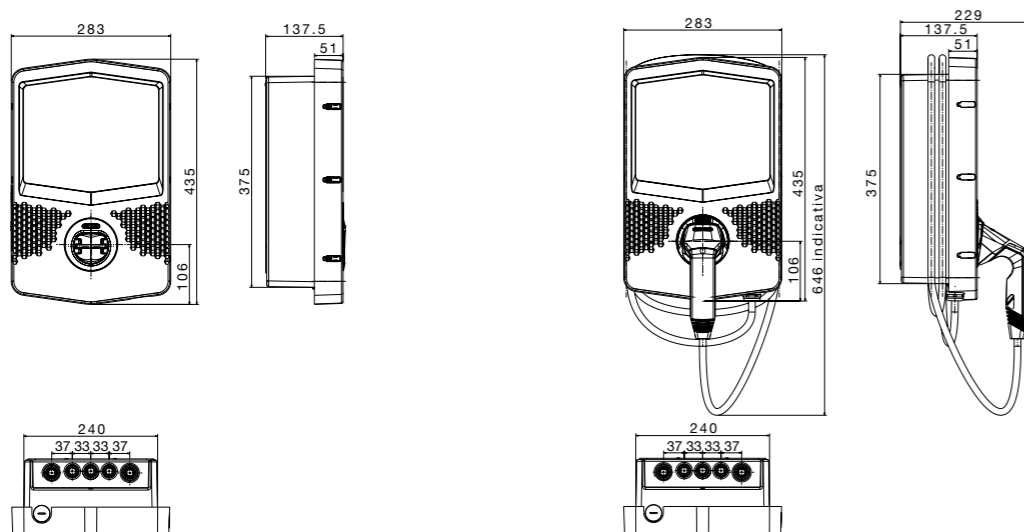
I-CON PREMIUM CLOUD - TECHNICAL CHARACTERISTICS

CODE	GWJ 3202 L GWJ 3202 W	GWJ 3204 L GWJ 3204 W	GWJ 3212 L GWJ 3212 W	GWJ 3214 L GWJ 3214 W
Charging mode (EN 61851)	Mode 3	Mode 3	Mode 3	Mode 3
Charging socket (EN 62196)	Type 2	Type 2	Type 2	Type 2
Connector type	Socket (IPxxD)	Socket (IPxxD)	Mobile connector	Mobile connector
Cable Length (if available)	N/A	N/A	5 meters	5 meters
ELECTRICAL RATING				
Power terminal block	3 x 16 mm ²	5 x 16 mm ²	3 x 16 mm ²	5 x 16 mm ²
Rated voltage	230V	400V	230V	400V
Maximum Current	32A	32A	32A	32A
Maximum power	7.4 kW	22 kW	7.4 kW	22 kW
User protection	DC Leak 6mA	DC Leak 6mA	DC Leak 6mA	DC Leak 6mA
Energy metering	Meter MID	Meter MID	Meter MID	Meter MID
Connectivity	ETH / Router 4G*	ETH / Router 4G*	ETH / Router 4G*	ETH / Router 4G*
Communication	OCPP 1.6 J	OCPP 1.6 J	OCPP 1.6 J	OCPP 1.6 J
Load management	Via OCPP with dedicated profile **	Via OCPP with dedicated profile **	Via OCPP with dedicated profile **	Via OCPP with dedicated profile **
Charging activation	RFID / APP	RFID / APP	RFID / APP	RFID / APP
Human Interface	Display + Slider touch	Display + Slider touch	Display + Slider touch	Display + Slider touch
MECHANICAL PROPERTIES				
Installation type	Wall-mounting (or flush-mounting with box, or floor with support)			
Material	Post-Industrial source thermoplastic			
IP protection	IP55			
Impact protection	IK10			
Operating temperature	-25°C / +50°C			
Available accessories				
Private/Public Load Management Kit	GWJ 8031			
Flush-mounting box	GWJ 8101			
Single-side floor support	GWJ 8102			
Double-sided floor support	GWJ 8103			
Protective cover	GWJ 8104			
RFID card	GWJ 8001			

(*) Router 4G available in the codes with final termination "W".

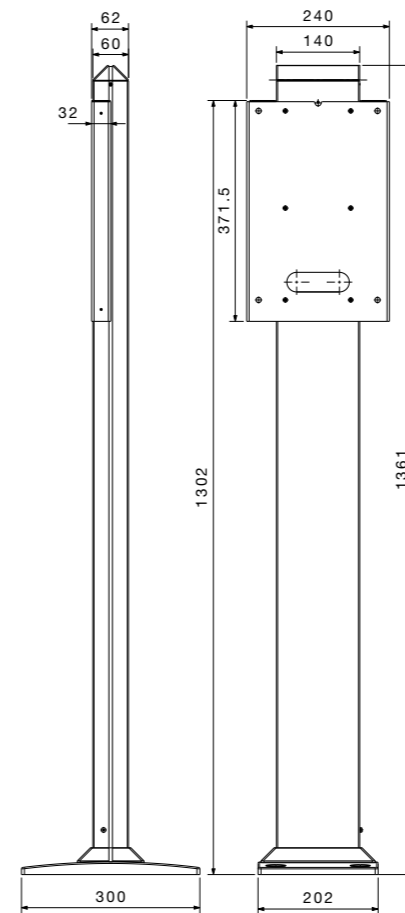
(**) The OCPP protocol, through the SMART CHARGING profile, allows the management of charging power dynamically.

DIMENSIONAL TABLES

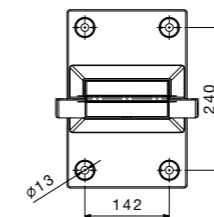
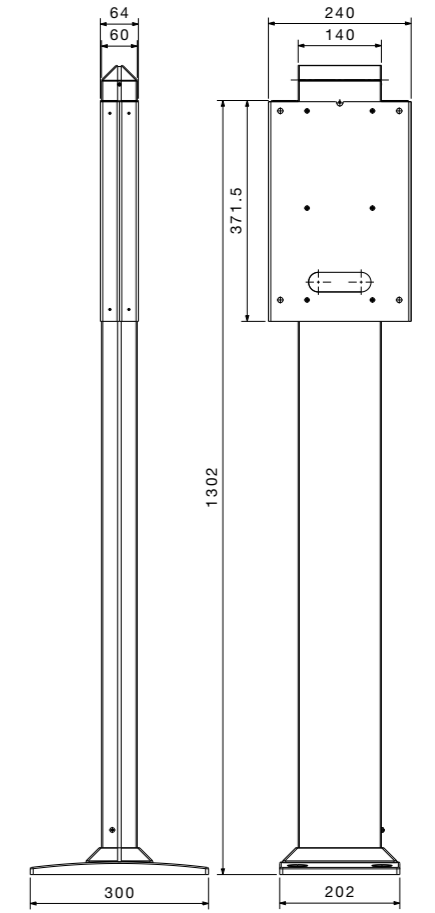


I-CON Accessories

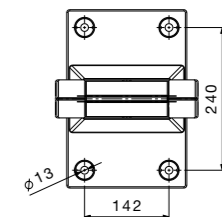
FLOOR SUPPORT - SINGLE-SIDED



FLOOR SUPPORT - DOUBLE-SIDED



GWJ8102

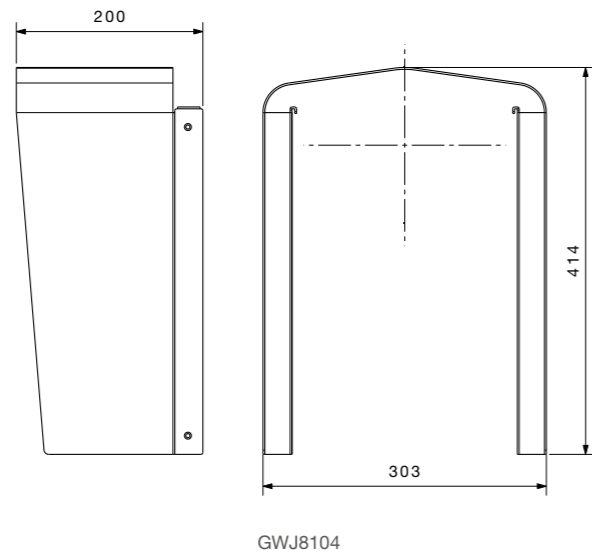


GWJ8103

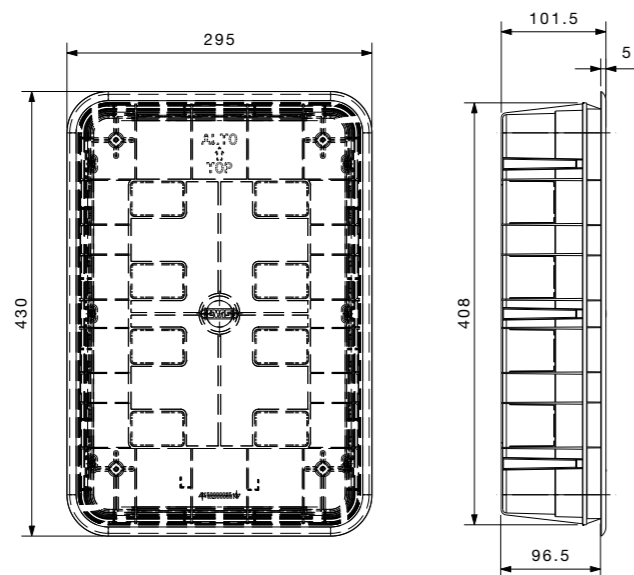


I-CON Accessories

PROTECTIVE COVER



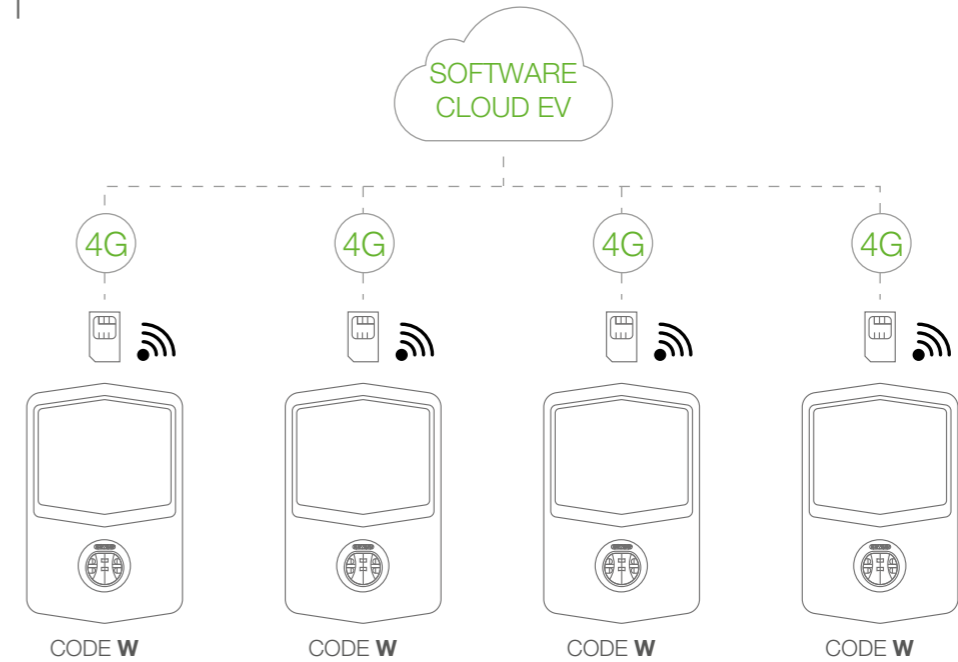
FLUSH-MOUNTING BOX



I-CON

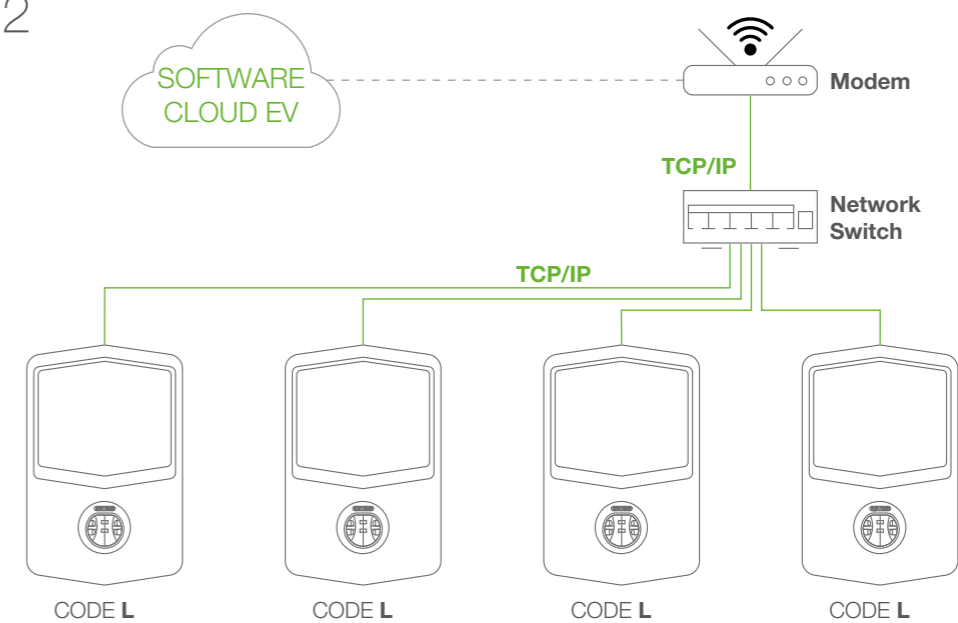
backend connection scheme

example 1

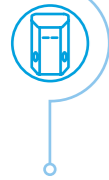


Charging stations are all equipped with Kit Router 4G (version «W») and communicate «Peer To Peer» with the communication backend via OCPP 1.6 JSON protocol.

example 2



The charging stations are all equipped with Ethernet Kit (version «L»), and are all wired in the centre of the star within a switch. Connectivity takes place through a Router available in the system.



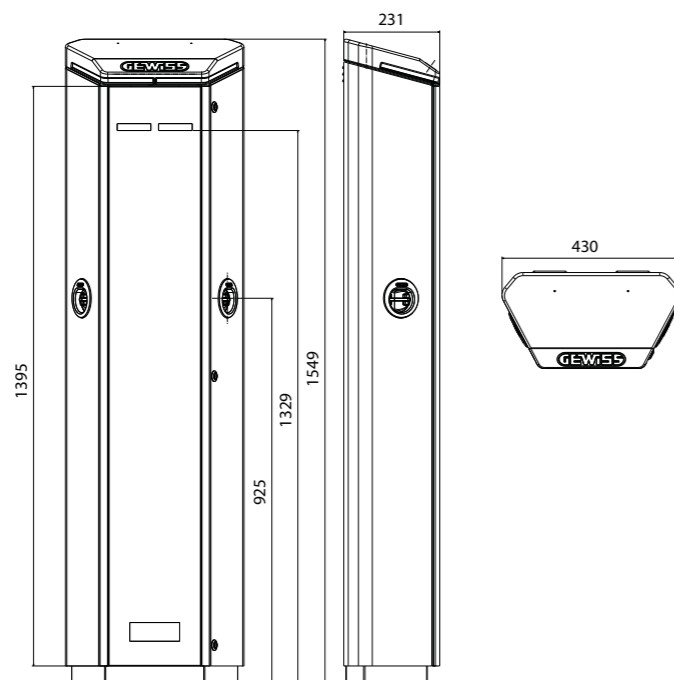
I-ON

technical and dimensional information

I.ON AUTOSTART - TECHNICAL CHARACTERISTICS

CODE	GWJ 1001 A	GWJ 1002 A	GWJ 1003 A
Charging mode (EN 61851)	Mode 3	Mode 3	Mode 3
Charging socket (EN 62196)	2 x Type 2	2 x Type 2	2 x Type 2
Connector type	Socket (IPxxD)	Socket (IPxxD)	Socket (IPxxD)
Input			
Power supply (in-out)	3 x 35 mm ²	5 x 16 mm ²	5 x 35 mm ²
Rated current	64A	32A	64A
Total power	14.8 kW	22 kW	44 kW
Output			
Voltage	230V	400V	400V
Maximum current	32A + 32A	16A + 16A	32A + 32A
Maximum power	7.4 kW + 7.4 kW	11 kW + 11 kW	22 kW + 22 kW
Thermal magnetic circuit	40A - 2P - D Curve	20A - 4P - D Curve	40A - 4P - D Curve
RCCB protection	40A - 2P - Type B	20A - 4P - Type B	40A - 4P - Type B
Energy metering	-	-	-
Charging activation	FREE	FREE	FREE
Human interface	TFT Display	TFT Display	TFT Display
MECHANICAL CHARACTERISTICS (valid for all codes)			
Installation type	Floor-mounted (fixing base already included)		
Material	Steel sheet		
Exterior Colour	Grey Chassie, Cap RAL7011		
Surface treatment	anti-graffiti and anti-corrosion surface painting		
IP protection	IP55		
Impact protection	IK10		
Operating temperature	-25°C / +50°C		
ACCESSORIES (valid for all codes)			
Floor mounting plate	GWJ 8021		

I.ON AUTOSTART - DIMENSIONAL TABLES

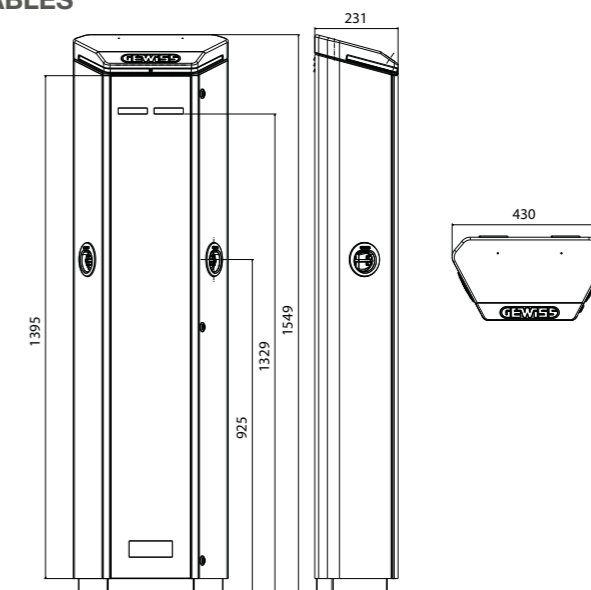


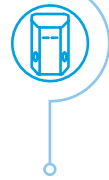
I.ON RFID - TECHNICAL CHARACTERISTICS

CODE	GWJ 1001 R GWJ 1021 R*	GWJ 1002 R	GWJ 1003 R GWJ 1023 R*
Charging mode(EN 61851)	Mode 3	Mode 3	Mode 3
Charging socket (EN 62196)	2 x Type 2	2 x Type 2	2 x Type 2
Connector type	Socket (IPxxD)	Socket (IPxxD)	Socket (IPxxD)
Input			
Power supply (in-out)	3 x 35 mm ²	5 x 16 mm ²	5 x 35 mm ²
Rated current	64A	32A	64A
Total power	14.8 kW	22 kW	44 kW
Output			
Voltage	230V	400V	400V
Maximum current	32A + 32A	16A + 16A	32A + 32A
Maximum power	7.4 kW + 7.4 kW	11 kW + 11 kW	22 kW + 22 kW
Magnetothermic protection	40A - 2P - D Curve	20A - 4P - D Curve	40A - 4P - D Curve
RCCB protection	40A - 2P - Type B	20A - 4P - Type B	40A - 4P - Type B
Energy metering	YES, MID Type	YES, MID Type	YES, MID Type
Charging activation	RFID	RFID	RFID
Human interface	TFT Display	TFT Display	TFT Display
MECHANICAL CHARACTERISTICS (valid for all codes)			
Installation type	Floor-mounted (fixing base already included)		
Material	Steel sheet		
Exterior Colour	Grey Chassie, Cap RAL7011		
Surface treatment	anti-graffiti and anti-corrosion surface painting		
IP protection	IP55		
Impact protection	IK10		
Operating temperature	-25°C / +50°C		
ACCESSORIES (valid for all codes)			
Floor mounting plate	GWJ 8021		
RFID card	GWJ 8001		
ethernet	GWJ 8011		
Ethernet + 4g modem + antenna kit	GWJ 8012		

(*) GWJ1021R and GWJ1023R are equipped with "user 1" (socket Type2 + Type F socket) and "user 2" (socket type2 + Type F socket). Each "user" can activate only 1 socket at the same time.

I.ON RFID - DIMENSIONAL TABLES





I-ON

technical and dimensional information

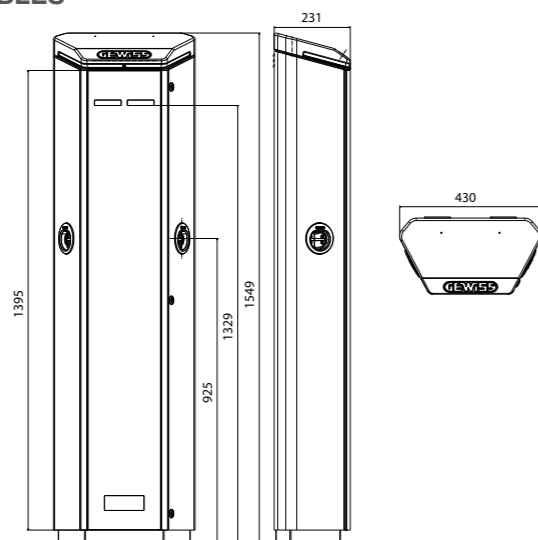
I.ON CLOUD - TECHNICAL CHARACTERISTICS

CODE	GWJ 1001 W GWJ 1001 L GWJ 1021 W*	GWJ 1002 W GWJ 1002 L	GWJ 1003 W GWJ 1003 L GWJ 1023 W*
Charging mode (EN 61851)	Mode 3	Mode 3	Mode 3
Charging socket (EN 62196)	2 x Type 2 IPXXD	2 x Type 2 IPXXD	2 x Type 2 IPXXD
Connector type	Socket (IPxxD)	Socket (IPxxD)	Socket (IPxxD)
Input			
Power supply (in-out)	3 x 35 mm ²	5 x 16 mm ²	5 x 35 mm ²
Rated current	64A	32A	64A
Total power	14.8 kW	22 kW	44 kW
Output			
Voltage	230V	400V	400V
Maximum current	32A + 32A	16A + 16A	32A + 32A
Maximum power	7.4 kW + 7.4 kW	11 kW + 11 kW	22 kW + 22 kW
Magnetothermic protection	40A - 2P - D Curve	20A - 4P - D Curve	40A - 4P - D Curve
RCCB protection	40A - 2P - Type B	20A - 4P - Type B	40A - 4P - Type B
Energy metering	YES, MID Type	YES, MID Type	YES, MID Type
Connectivity	OCPP 1.6 J	OCPP 1.6 J	OCPP 1.6 J
Charging activation	RFID or APP	RFID or APP	RFID or APP
Human interface	TFT Display	TFT Display	TFT Display
MECHANICAL CHARACTERISTICS (valid for all codes)			
Installation type	Floor-mounted (fixing base already included)		
Material	Steel sheet		
Exterior Colour	Grey Chassie, Cap RAL7011		
Surface treatment	anti-graffiti and anti-corrosion surface painting		
IP protection	IP55		
Impact protection	IK10		
Operating temperature	-25°C / +50°C		
ACCESSORIES (valid for all codes)			
Floor mounting plate	GWJ 8021		
RFID card	GWJ 8001		
Load management kit for public environment	GWJ 8031		

NOTE: 4G Router available in the codes with final termination "W".

(*) GWJ1021W and GWJ1023W are equipped with "user 1" (socket Type2 + Type F socket) and "user 2" (socket type2 + Type F socket). Each "user" can activate only 1 socket at the same time.

I.ON CLOUD - DIMENSIONAL TABLES



I-ON WALL

I.ON WALL AUTOSTART - TECHNICAL CHARACTERISTICS

CODE	GWJ 2101 A	GWJ 2102 A	GWJ 2103 A
Charging mode (EN 61851)	Mode 3	Mode 3	Mode 3
Charging socket (EN 62196)	2 x Type 2	2 x Type 2	2 x Type 2
Connector type	Socket (IPxxD)	Socket (IPxxD)	Socket (IPxxD)
Input			
Power supply (2 separate lines)	2 x (3 x 10 mm ²)	2 x (5 x 10 mm ²)	2 x (5 x 10 mm ²)
Rated current	64A	32A	64A
Total power	14.8 kW	22 kW	44 kW
Output			
Voltage	230V	400V	400V
Maximum current	32A + 32A	16A + 16A	32A + 32A
Maximum power	7.4 kW + 7.4 kW	11 kW + 11 kW	22 kW + 22 kW
Magnetothermic protection	-	-	-
RCCB protection	-	-	-
Energy metering	-	-	-
Charging activation	FREE	FREE	FREE
Human interface	TFT Display	TFT Display	TFT Display
MECHANICAL CHARACTERISTICS (valid for all codes)			
Installation type	Wall or Support mounting		
Material	Steel sheet		
Exterior Colour	Grey Chassie, Cap RAL7011		
Surface treatment	anti-graffiti and anti-corrosion surface painting		
IP protection	IP55		
Impact protection	IK10		
Operating temperature	-25°C / +50°C		
ACCESSORIES (valid for all codes)			
Pole support kit	GW46551		

I.ON WALL AUTOSTART - DIMENSIONAL TABLES





I-ON

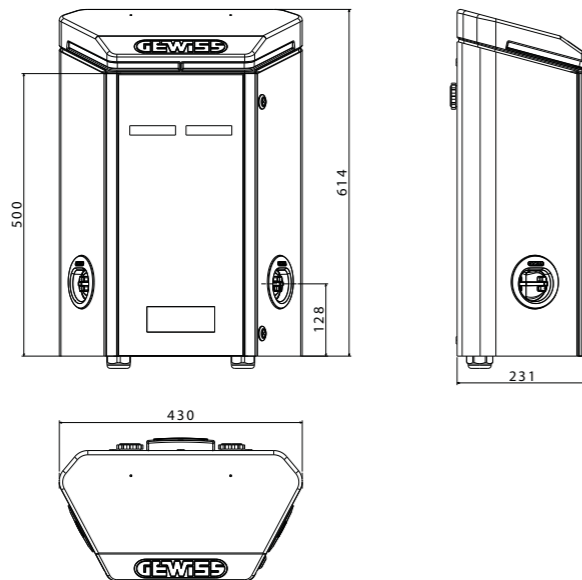
technical and dimensional information

I.ON WALL RFID - TECHNICAL CHARACTERISTICS

CODE	GWJ 2101 R GWJ 2121 R*	GWJ 2102 R	GWJ 2103 R GWJ 2123 R*
Charging mode (EN 61851)	Mode 3	Mode 3	Mode 3
Charging socket (EN 62196)	2 x Type 2 *	2 x Type 2	2 x Type 2 *
Connector type	Socket (IPxxD)	Socket (IPxxD)	Socket (IPxxD)
Input			
Power supply (2 separate lines)	2 x (3 x 10 mm ²)	2 x (5 x 10 mm ²)	2 x (5 x 10 mm ²)
Rated current	64A	32A	64A
Total power	14.8 kW	22 kW	44 kW
Output			
Voltage	230V	400V	400V
Maximum current	32A + 32A	16A + 16A	32A + 32A
Maximum power	7.4 kW + 7.4 kW	11 kW + 11 kW	22 kW + 22 kW
Magnetothermic protection	-	-	-
RCCB protection	-	-	-
Energy metering	YES, MID Type	YES, MID Type	YES, MID Type
Charging activation	RFID	RFID	RFID
Human interface	TFT Display	TFT Display	TFT Display
MECHANICAL CHARACTERISTICS (valid for all codes)			
Installation type	Wall or Support mounting		
Material	Steel sheet		
Exterior Colour	Grey Chassie, Cap RAL7011		
Surface treatment	anti-graffiti and anti-corrosion surface painting		
IP protection	IP55		
Impact protection	IK10		
Operating temperature	-25°C / +50°C		
ACCESSORIES (valid for all codes)			
Pole support kit	GW 46551		
RFID card	GWJ 8001		
ethernet	GWJ 8011		
Ethernet + 4g modem + antenna kit	GWJ 8012		

(* GWJ2121R and GWJ2123R are equipped with "user 1" (socket Type2) and "user 2" (Type F socket).

I.ON WALL RFID - DIMENSIONAL TABLES



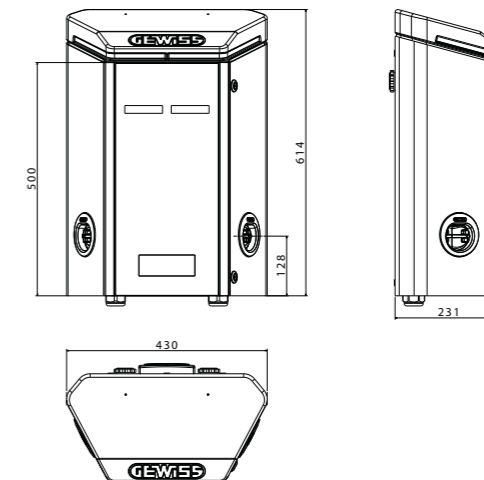
I.ON WALL CLOUD - TECHNICAL CHARACTERISTICS

CODE	GWJ 2101 W GWJ 2101 L GWJ 2121 W*	GWJ 2102 W GWJ 2102 L	GWJ 2103 W GWJ 2103 L GWJ 2123 W*
Charging mode (EN 61851)	Mode 3	Mode 3	Mode 3
Charging socket (EN 62196)	2 x Type 2 IPXXD *	2 x Type 2 IPXXD	2 x Type 2 IPXXD *
Connector type	Socket (IPxxD)	Socket (IPxxD)	Socket (IPxxD)
Input			
Power supply (2 separate lines)	2 x (3 x 10 mm ²)	2 x (5 x 10 mm ²)	2 x (5 x 10 mm ²)
Rated current	64A	32A	64A
Total power	14.8 kW	22 kW	44 kW
Output			
Voltage	230V	400V	400V
Maximum current	32A + 32A	16A + 16A	32A + 32A
Maximum power	7.4 kW + 7.4 kW	11 kW + 11 kW	22 kW + 22 kW
Magnetothermic protection	-	-	-
RCCB protection	-	-	-
Energy metering	YES, MID Type	YES, MID Type	YES, MID Type
Connectivity	OCPP 1.6 J	OCPP 1.6 J	OCPP 1.6 J
Charging activation	RFID or APP	RFID or APP	RFID or APP
Human interface	TFT Display	TFT Display	TFT Display
MECHANICAL CHARACTERISTICS (valid for all codes)			
Installation type	Wall or Support mounting		
Material	Steel sheet		
Exterior Colour	Grey Chassie, Cap RAL7011		
Surface treatment	anti-graffiti and anti-corrosion surface painting		
IP protection	IP55		
Impact protection	IK10		
Operating temperature	-25°C / +50°C		
ACCESSORIES (valid for all codes)			
Pole support kit	GW 46551		
RFID card	GWJ 8001		
ethernet	GWJ 8011		
Ethernet + 4g modem + antenna kit	GWJ 8012		
Load management kit for public environment	GWJ 8031		

NOTE: 4G Router available in the codes with final termination "W".

(* GWJ2121W and GWJ2123W are equipped with "user 1" (socket Type2) and "user 2" (Type F socket).

I.ON WALL CLOUD - DIMENSIONAL TABLES

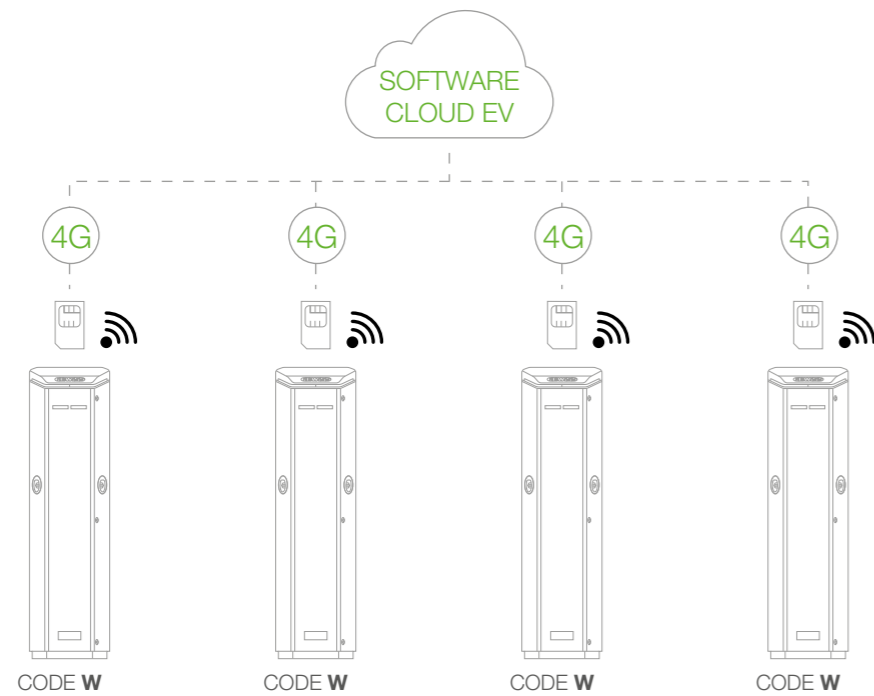




I-ON

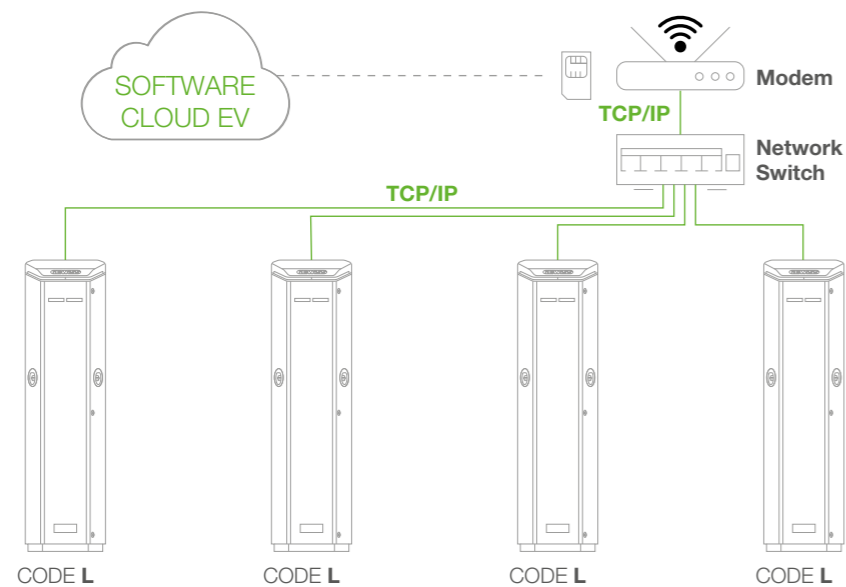
backend connection scheme

example 1



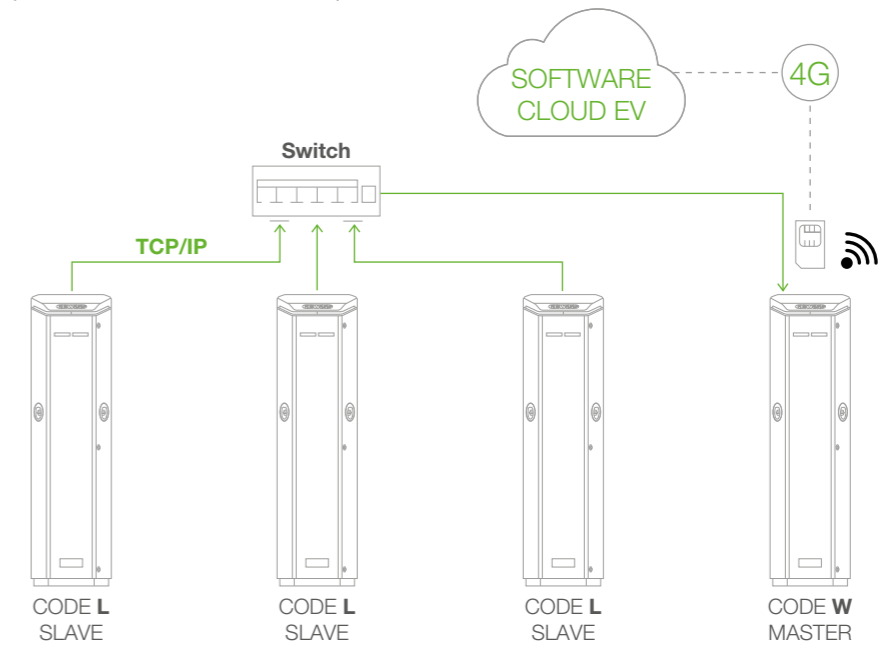
Charging stations are all equipped with Kit Router 4G (version «W») and communicate «Peer To Peer» with the communication backend via OCPP 1.6 JSON protocol.

example 2



The charging stations are all equipped with Ethernet Kit (version «L»), and are all wired in the centre of the star within a switch. Connectivity takes place through a Router available in the system.

example 3 (Master / Slave)



The charging stations are all equipped with Ethernet Kit (version «L») are wired in the center of the star within a Switch. Data is then transferred to THE MASTER station that integrates a Router and the SIM is wired in and out with TCP/IP line and only the last charging station has a 4G SIM that communicates with the backend via OCPP 1.6 JSON protocol.



JoinOn

load management system through site controller

Acquisition of charging power information

To dynamically limit the total power reserved for charging stations, the Site Controller records both the current on each phase of the “charging” station and the total power for each phase of the entire system in real time.

This also offers the possibility to consider other loads that are absorbing energy from the grid, for example: lights, heating, elevators or other.

On the one hand, electrical meters integrated into charging stations are used for a complete recording of measurements for EV charging, and at the same time, an additional electrical meter with TCP/IP capability is used to collect the total currents/powers (including the other loads mentioned above).

Maximum power management

The desired maximum total power is a parameter that can be defined and modified through the load management system from the JoinOn platform. Based on this value and also taking into account the other measured loads, the Site Controller calculates the residual charging power available and dynamically controls (every 30 seconds, adjustable) the charging powers of each individual charging process.

Phased charging balancing

Single-phase charging processes are recognized by the Site Controller and compensated as best as possible by reducing charging processes accordingly.

Gewiss site controller applications

With its load management functions, the Site Controller supports all applications for the construction of charging networks in public, semi-public or even private contexts (example: condominiums or Corporate) in order to always meet the required load limits.

Components and technical data

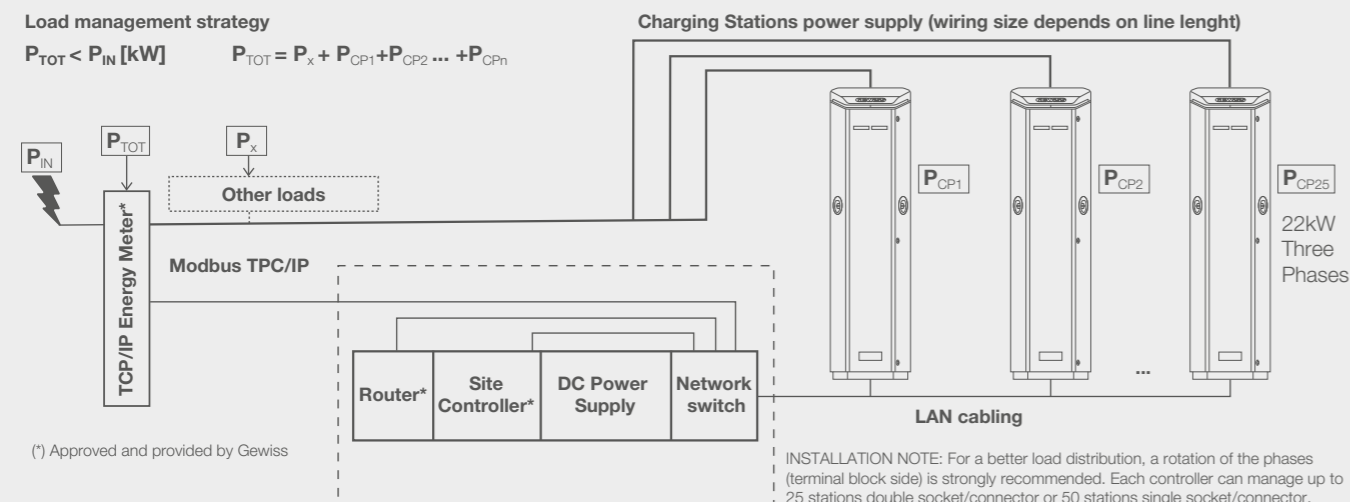
The current load management system is as follows:

- **Site Controller** is the heart of the DLM load management system and allows the simultaneous management of max. 50 charging sockets. Device technical information:
 - - DA-1000 Bay Trail Celeron J1900 Quad Core Platform motherboard.

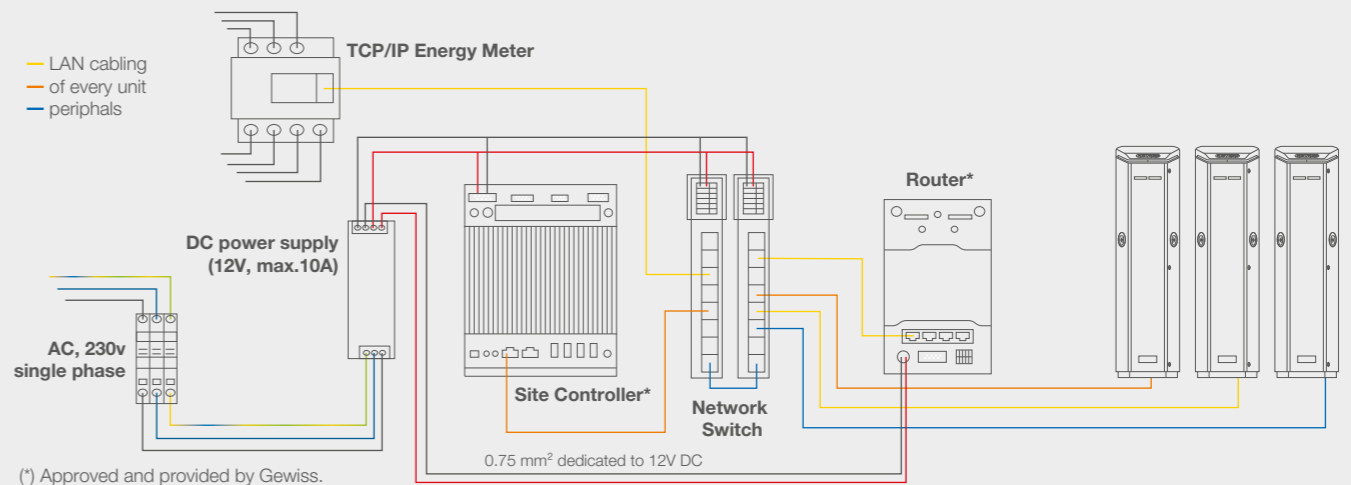
- - Primary storage 32GB 2.5” SSD.
- - Windows 10 Home operating system - 64-bit.
- - AC Power Adapter DC 12V, 60W - 3-pin Terminal.
- - Memory (RAM) 4 GB SO-DIMM DDR3L 1600.
- - Temperature -25°C ÷ 70°C.
- The **TCP/IP Energy Meter** (it is optional and must be purchased from Gewiss, necessary only when dynamic power management is required also considering the other loads in use on the site: lights, air conditioners, etc.);
- a **Router** (used to set the LAN network between charging stations, the TCP/IP energy meter and set up GSM communication with the JoinOn BackEnd. NOTE: charging stations do not need their own GSM communication, using the Site Controller it will operate as the Master of the system);
- a **12V DC Power Supply** (max 10A);
- a **Switch** for connecting all load management equipment and stations through LAN cables;

For further information, please contact the SAT Technical Support Service.

system layout (site controller)



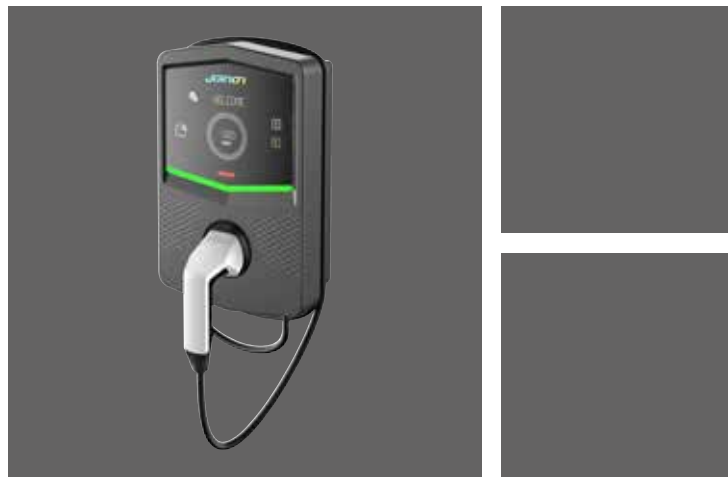
wiring layout (site controller)





GEWISS

Visit www.joinon.com and follow us on:



GEWISS S.p.A.

Registered Office: Via A. Volta, 1
24069 CENATE SOTTO BG - Italy
T. +39 035 946 111 - F. +39 035 945 222
gewiss@gewiss.com - www.gewiss.com

Single shareholder company - R.I. Bergamo / VAT / Tax Code (IT) 00385040167
REA 107496 - Share Capital 60,000,000.00 EUR fully paid up

PB 22631 EN - 01:21

