



I-CON

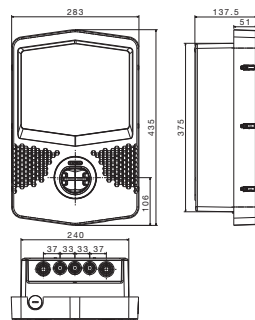
technical and dimensional information

I-CON AUTOSTART WITH SOCKET - TECHNICAL CHARACTERISTICS

CODE	GWJ 3001 A	GWJ 3002 A	GWJ 3003 A	GWJ 3004 A
Charging mode (EN 61851)	Mode 3	Mode 3	Mode 3	Mode 3
Charging socket (EN 62196)	Type 2	Type 2	Type 2	Type 2
Connector type	Socket (IPxD)	Socket (IPxD)	Socket (IPxD)	Socket (IPxD)
Cable Length (if available)	N/A	N/A	N/A	N/A
ELECTRICAL RATING				
Power terminal block	3 x 10 mm ²	3 x 10 mm ²	5 x 10 mm ²	5 x 10 mm ²
Rated voltage	230V	230V	400V	400V
Maximum Current	20A	32A	16A	32A
Maximum power	4.6 kW	7.4 kW	11 kW	22 kW
User protection	DC Leak 6mA	DC Leak 6mA	DC Leak 6mA	DC Leak 6mA
Energy measurement	-	-	-	-
Connectivity	-	-	-	-
Communication	-	-	-	-
Load management	Manual selector *	Manual selector *	Manual selector *	Manual selector *
Charging activation	FREE	FREE	FREE	FREE
Human Interface	LED	LED	LED	LED
MECHANICAL PROPERTIES				
Installation type	Wall-mounted (or floor with support)			
Material	Post-Industrial source thermoplastic			
IP protection	IP55			
Impact protection	IK10			
Operating temperature	-25°C / +50°C			
Available accessories				
Single-side floor support	GWJ 8102			
Double-sided floor support	GWJ 8103			
Protective cover	GWJ 8104			

(*) the selector allows to partialize the charging power: 100% - 60% - 30%.

DIMENSIONAL TABLES

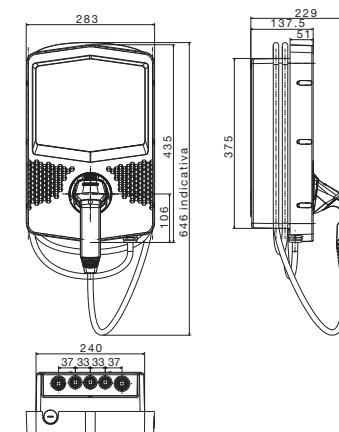


I-CON AUTOSTART WITH CABLE - TECHNICAL CHARACTERISTICS

CODE	GWJ 3011 A	GWJ 3012 A	GWJ 3013 A	GWJ 3014 A
Charging mode (EN 61851)	Mode 3	Mode 3	Mode 3	Mode 3
Charging socket (EN 62196)	Type 2	Type 2	Type 2	Type 2
Connector type	Mobile connector	Mobile connector	Mobile connector	Mobile connector
Cable Length (if available)	5 meters	5 meters	5 meters	5 meters
ELECTRICAL RATING				
Power terminal block	3 x 10 mm ²	3 x 10 mm ²	5 x 10 mm ²	5 x 10 mm ²
Rated voltage	230V	230V	400V	400V
Maximum Current	20A	32A	16A	32A
Maximum power	4.6 kW	7.4 kW	11 kW	22 kW
User protection	DC Leak 6mA	DC Leak 6mA	DC Leak 6mA	DC Leak 6mA
Energy measurement	-	-	-	-
Connectivity	-	-	-	-
Communication	-	-	-	-
Load management	Manual selector *	Manual selector *	Manual selector *	Manual selector *
Charging activation	FREE	FREE	FREE	FREE
Human Interface	LED	LED	LED	LED
MECHANICAL PROPERTIES				
Installation type	Wall-mounted (or floor with support)			
Material	Post-Industrial source thermoplastic			
IP protection	IP55			
Impact protection	IK10			
Operating temperature	-25°C / +50°C			
Available accessories				
Single-side floor support	GWJ 8102			
Double-sided floor support	GWJ 8103			
Protective cover	GWJ 8104			

(*) the selector allows to partialize the charging power: 100% - 60% - 30%.

DIMENSIONAL TABLES





I-CON

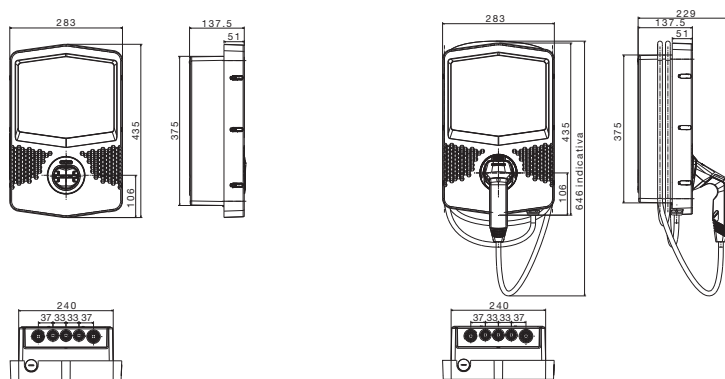
technical and dimensional information

I-CON AUTOSTART DLM - TECHNICAL CHARACTERISTICS

CODE	GWJ 3101 A	GWJ 3102 A	GWJ 3103 A	GWJ 3111 A	GWJ 3112 A	GWJ 3113 A
Charging mode (EN 61851)	Mode 3	Mode 3	Mode 3	Mode 3	Mode 3	Mode 3
Charging socket (EN 62196)	Type 2	Type 2	Type 2	Type 2	Type 2	Type 2
Connector type	Socket (IPxD)	Socket (IPxD)	Socket (IPxD)	Mobile connector	Mobile connector	Mobile connector
Cable Length (if available)	N/A	N/A	N/A	5 meters	5 meters	5 meters
ELECTRICAL RATING						
Power terminal block	3 x 10 mm ²	3 x 10 mm ²	5 x 10 mm ²	3 x 10 mm ²	3 x 10 mm ²	5 x 10 mm ²
Rated voltage	230V	230V	400V	230V	230V	400V
Maximum Current	20A	32A	16A	20A	32A	16A
Maximum power	4.6 kW	7.4 kW	11 kW	4.6 kW	7.4 kW	11 kW
User protection	DC Leak 6mA	DC Leak 6mA	DC Leak 6mA	DC Leak 6mA	DC Leak 6mA	DC Leak 6mA
Energy measurement	-	-	-	-	-	-
Connectivity	BLE (Setup app)	BLE (Setup app)	BLE (Setup app)	BLE (Setup app)	BLE (Setup app)	BLE (Setup app)
Communication	-	-	-	-	-	-
Load management	ECO or DLM*	ECO or DLM*	ECO or DLM*	ECO or DLM*	ECO or DLM*	ECO or DLM*
Charging activation	FREE	FREE	FREE	FREE	FREE	FREE
Human Interface	LED	LED	LED	LED	LED	LED
MECHANICAL PROPERTIES						
Installation type	Wall-mounting (or flush-mounting with box, or floor with support)					
Material	Post-Industrial source thermoplastic					
IP protection	IP55					
Impact protection	IK10					
Operating temperature	-25°C / +50°C					
Available accessories						
Load management kit for home environment	GWD 6812 single phase - GWD6817 three phase					
Flush-mounting box	GWJ 8101					
Single-side floor support	GWJ 8102					
Double-sided floor support	GWJ 8103					
Protective cover	GWJ 8104					

(* The ECO operation mode, set by default on the product, allows you to set the desired charging current and an operating time range. The DLM mode modulates the charging power according to the power used by the household system. To implement this logic it is necessary to install and connect an external meter GWD6812 for single phase version or GWD6817 for three phases version (to be purchased separately) to the charging station. The connection between the external meter and the charging station takes place on Modbus RS485 line.

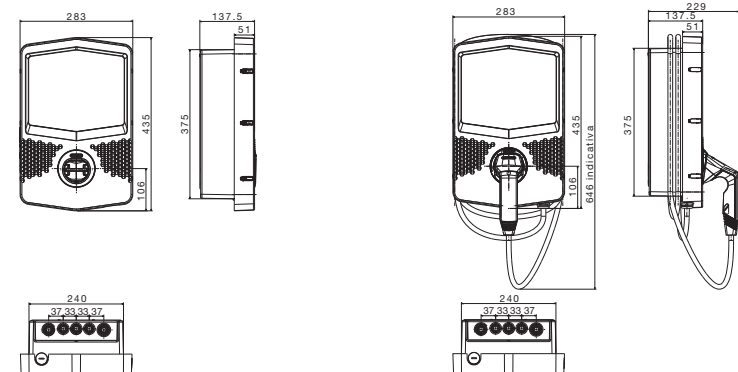
DIMENSIONAL TABLES



I-CON RFID - TECHNICAL CHARACTERISTICS

CODE	GWJ 3002 R	GWJ 3004 R	GWJ 3012 R	GWJ 3014 R
Charging mode (EN 61851)	Mode 3	Mode 3	Mode 3	Mode 3
Charging socket (EN 62196)	Type 2	Type 2	Type 2	Type 2
Connector type	Socket (IPxD)	Socket (IPxD)	Mobile connector	Mobile connector
Cable Length (if available)	N/A	N/A	5 meters	5 meters
ELECTRICAL RATING				
Power terminal block	3 x 10 mm ²	5 x 10 mm ²	3 x 10 mm ²	5 x 10 mm ²
Rated voltage	230V	400V	230V	400V
Maximum Current	32A	32A	32A	32A
Maximum power	7.4 kW	22 kW	7.4 kW	22 kW
User protection	DC Leak 6mA	DC Leak 6mA	DC Leak 6mA	DC Leak 6mA
Energy measurement	-	-	-	-
Connectivity	-	-	-	-
Communication	-	-	-	-
Load management	-	-	-	-
Charging activation	RFID	RFID	RFID	RFID
Human Interface	LED	LED	LED	LED
MECHANICAL PROPERTIES				
Installation type	Wall-mounting (or flush-mounting with box, or floor with support)			
Material	Post-Industrial source thermoplastic			
IP protection	IP55			
Impact protection	IK10			
Operating temperature	-25°C / +50°C			
Available accessories				
Flush-mounting box	GWJ 8101			
Single-side floor support	GWJ 8102			
Double-sided floor support	GWJ 8103			
Protective cover	GWJ 8104			
RFID card	GWJ 8001			

DIMENSIONAL TABLES





I-CON

technical and dimensional information

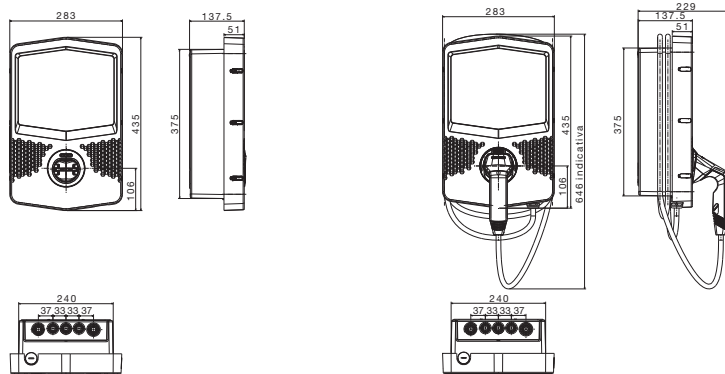
I-CON CLOUD - TECHNICAL CHARACTERISTICS

CODE	GWJ 3002 L GWJ 3002 W	GWJ 3004 L GWJ 3004 W	GWJ 3012 L GWJ 3012 W	GWJ 3014 L GWJ 3014 W
Charging mode (EN 61851)	Mode 3	Mode 3	Mode 3	Mode 3
Charging socket (EN 62196)	Type 2	Type 2	Type 2	Type 2
Connector type	Socket (IPxD)	Socket (IPxD)	Mobile connector	Mobile connector
Cable Length (if available)	N/A	N/A	5 meters	5 meters
ELECTRICAL RATING				
Power terminal block	3 x 10 mm ²	5 x 10 mm ²	3 x 10 mm ²	5 x 10 mm ²
Rated voltage	230V	400V	230V	400V
Maximum Current	32A	32A	32A	32A
Maximum power	7.4 kW	22 kW	7.4 kW	22 kW
User protection	DC Leak 6mA	DC Leak 6mA	DC Leak 6mA	DC Leak 6mA
Energy metering	Meter MID	Meter MID	Meter MID	Meter MID
Connectivity	ETH / Router 4G*	ETH / Router 4G*	ETH / Router 4G*	ETH / Router 4G*
Communication	OCPP 1.6 J	OCPP 1.6 J	OCPP 1.6 J	OCPP 1.6 J
Load management	Via OCPP with dedicated profile **	Via OCPP with dedicated profile **	Via OCPP with dedicated profile **	Via OCPP with dedicated profile **
Charging activation	RFID / APP	RFID / APP	RFID / APP	RFID / APP
Human Interface	LED	LED	LED	LED
MECHANICAL PROPERTIES				
Installation type	Wall-mounting (or flush-mounting with box, or floor with support)			
Material	Post-Industrial source thermoplastic			
IP protection	IP55			
Impact protection	IK10			
Operating temperature	-25°C / +50°C			
Available accessories				
Load management kit for public environment	GWJ 8031			
Flush-mounting box	GWJ 8101			
Single-side floor support	GWJ 8102			
Double-sided floor support	GWJ 8103			
Protective cover	GWJ 8104			
RFID card	GWJ 8001			

(*) Router 4G available in the codes with final termination "W".

(**) The OCPP protocol, through the SMART CHARGING profile, allows the management of charging power dynamically.

DIMENSIONAL TABLES



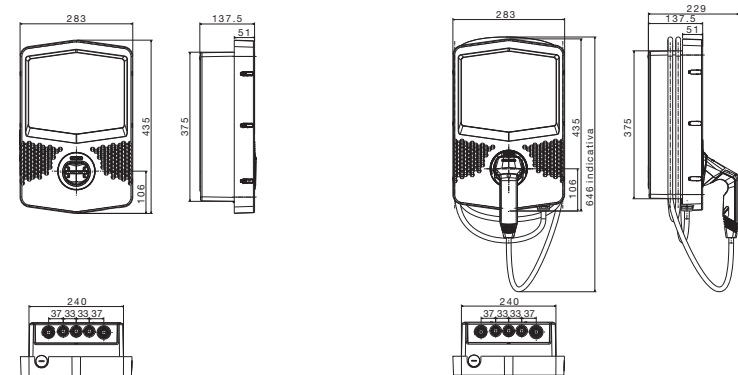
I-CON PREMIUM

I-CON PREMIUM AUTOSTART DLM - TECHNICAL CHARACTERISTICS

CODE	GWJ 3201 A	GWJ 3202 A	GWJ 3203 A	GWJ 3211 A	GWJ 3212 A	GWJ 3213 A
Charging mode (EN 61851)	Mode 3	Mode 3	Mode 3	Mode 3	Mode 3	Mode 3
Charging socket (EN 62196)	Type 2	Type 2	Type 2	Type 2	Type 2	Type 2
Connector type	Socket (IPxD)	Socket (IPxD)	Socket (IPxD)	Mobile connector	Mobile connector	Mobile connector
Cable Length (if available)	N/A	N/A	N/A	5 meters	5 meters	5 meters
ELECTRICAL RATING						
Power terminal block	3 x 10 mm ²	3 x 10 mm ²	5 x 10 mm ²	3 x 10 mm ²	3 x 10 mm ²	5 x 10 mm ²
Rated voltage	230V	230V	400V	230V	230V	400V
Maximum Current	20A	32A	16A	20A	32A	16A
Maximum power	4.6 kW	7.4 kW	11 kW	4.6 kW	7.4 kW	11 kW
User protection	DC Leak 6mA	DC Leak 6mA	DC Leak 6mA	DC Leak 6mA	DC Leak 6mA	DC Leak 6mA
Energy measurement	-	-	-	-	-	-
Connectivity	BLE (Setup app)	BLE (Setup app)	BLE (Setup app)	BLE (Setup app)	BLE (Setup app)	BLE (Setup app)
Communication	-	-	-	-	-	-
Load management	ECO or DLM*	ECO or DLM*	ECO or DLM*	ECO or DLM*	ECO or DLM*	ECO or DLM*
Charging activation	FREE	FREE	FREE	FREE	FREE	FREE
Human Interface	Display + Slider touch	Display + Slider touch	Display + Slider touch	Display + Slider touch	Display + Slider touch	Display + Slider touch
MECHANICAL PROPERTIES						
Installation type	Wall-mounting (or flush-mounting with box, or floor with support)					
Material	Post-Industrial source thermoplastic					
IP protection	IP55					
Impact protection	IK10					
Operating temperature	-25°C / +50°C					
Available accessories						
Load management kit for home environment	GWD 6812 single phase - GWD6817 three phase					
Flush-mounting box	GWJ 8101					
Single-side floor support	GWJ 8102					
Double-sided floor support	GWJ 8103					
Protective cover	GWJ 8104					

(*) The ECO operation mode, set by default on the product, allows you to set the desired charging current and an operating time range. The DLM mode modulates the charging power according to the power used by the household system. To implement this logic it is necessary to install and connect an external meter GWD6812 for single phase version or GWD6817 for three phases version (to be purchased separately) to the charging station. The connection between the external meter and the charging station takes place on Modbus RS485 line.

DIMENSIONAL TABLES





I-CON

technical and dimensional information

I-CON PREMIUM AUTOSTART DLM BACKLIGHT - TECHNICAL CHARACTERISTICS

CODE	GWJ 3301 A	GWJ 3302 A	GWJ 3303 A	GWJ 3311 A	GWJ 3312 A	GWJ 3313 A
Charging mode (EN 61851)	Mode 3	Mode 3	Mode 3	Mode 3	Mode 3	Mode 3
Charging socket (EN 62196)	Type 2	Type 2	Type 2	Type 2	Type 2	Type 2
Connector type	Socket (IPxxD)	Socket (IPxxD)	Socket (IPxxD)	Mobile connector	Mobile connector	Mobile connector
Cable Length (if available)	N/A	N/A	N/A	5 meters	5 meters	5 meters
ELECTRICAL RATING						
Power terminal block	3 x 10 mm ²	3 x 10 mm ²	5 x 10 mm ²	3 x 10 mm ²	3 x 10 mm ²	5 x 10 mm ²
Rated voltage	230V	230V	400V	230V	230V	400V
Maximum Current	20A	32A	16A	20A	32A	16A
Maximum power	4.6 kW	7.4 kW	11 kW	4.6 kW	7.4 kW	11 kW
User protection	DC Leak 6mA	DC Leak 6mA	DC Leak 6mA	DC Leak 6mA	DC Leak 6mA	DC Leak 6mA
Energy measurement	-	-	-	-	-	-
Connectivity	BLE (Setup app)	BLE (Setup app)	BLE (Setup app)	BLE (Setup app)	BLE (Setup app)	BLE (Setup app)
Communication	-	-	-	-	-	-
Load management	ECO or DLM*	ECO or DLM*	ECO or DLM*	ECO or DLM*	ECO or DLM*	ECO or DLM*
Charging activation	FREE	FREE	FREE	FREE	FREE	FREE
Human Interface	Display + Slider touch	Display + Slider touch	Display + Slider touch	Display + Slider touch	Display + Slider touch	Display + Slider touch
Lighting system	Backlight**	Backlight**	Backlight**	Backlight**	Backlight**	Backlight**
MECHANICAL PROPERTIES						
Installation type	Wall-mounted (or floor with support)					
Material	Post-Industrial source thermoplastic					
IP protection	IP55					
Impact protection	IK10					
Operating temperature	-25°C / +50°C					
Available accessories						
Load management kit for home environment	GWD 6812 single phase - GWD6817 three phase					
Single-side floor support	GWJ 8102					
Double-sided floor support	GWJ 8103					
Protective cover	GWJ 8104					

(* The ECO operation mode, set by default on the product, allows you to set the desired charging current and an operating time range. The DLM mode modulates the charging power according to the power used by the household system. In order to implement this logic, it is necessary to install and connect an external meter GWD6812 for single phase version or GWD6817 for three phases version (to be purchased separately) to the charging station. The connection between the external meter and the charging station takes place on Modbus RS485 line.

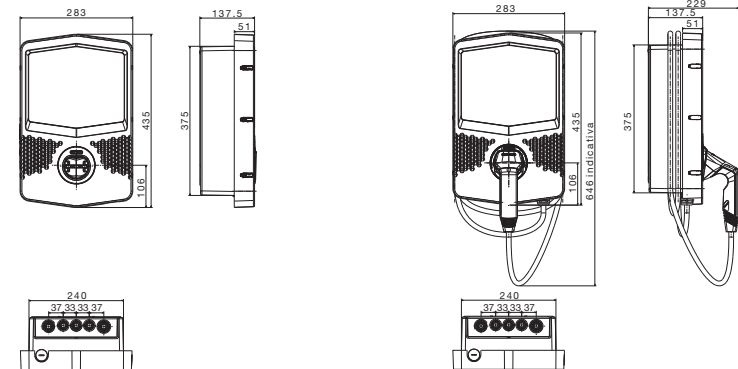
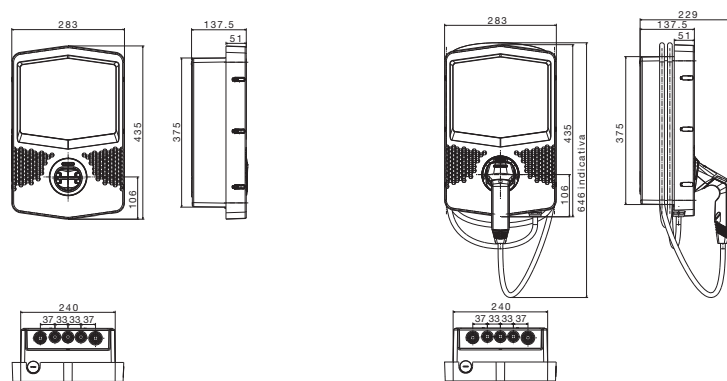
(**) Backlight lighting system: The front status bar is also replicated rearward reflecting the color on the installation wall.

I-CON PREMIUM RFID - TECHNICAL CHARACTERISTICS

CODE	GWJ 3202 R	GWJ 3204 R	GWJ 3212 R	GWJ 3214 R
Charging mode (EN 61851)	Mode 3	Mode 3	Mode 3	Mode 3
Charging socket (EN 62196)	Type 2	Type 2	Type 2	Type 2
Connector type	Socket (IPxxD)	Socket (IPxxD)	Mobile connector	Mobile connector
Cable Length (if available)	N/A	N/A	5 meters	5 meters
ELECTRICAL RATING				
Power terminal block	3 x 10 mm ²	5 x 10 mm ²	3 x 10 mm ²	5 x 10 mm ²
Rated voltage	230V	400V	230V	400V
Maximum Current	32A	32A	32A	32A
Maximum power	7.4 kW	22 kW	7.4 kW	22 kW
User protection	DC Leak 6mA	DC Leak 6mA	DC Leak 6mA	DC Leak 6mA
Energy metering	Meter MID	Meter MID	Meter MID	Meter MID
Connectivity	-	-	-	-
Communication	-	-	-	-
Load management	-	-	-	-
Charging activation	RFID	RFID	RFID	RFID
Human Interface	Display + Slider touch	Display + Slider touch	Display + Slider touch	Display + Slider touch
MECHANICAL PROPERTIES				
Installation type	Wall-mounting (or flush-mounting with box, or floor with support)			
Material	Post-Industrial source thermoplastic			
IP protection	IP55			
Impact protection	IK10			
Operating temperature	-25°C / +50°C			
Available accessories				
Flush-mounting box	GWJ 8101			
Single-side floor support	GWJ 8102			
Double-sided floor support	GWJ 8103			
Protective cover	GWJ 8104			
RFID card	GWJ 8001			

DIMENSIONAL TABLES

DIMENSIONAL TABLES





I-CON

technical and dimensional information

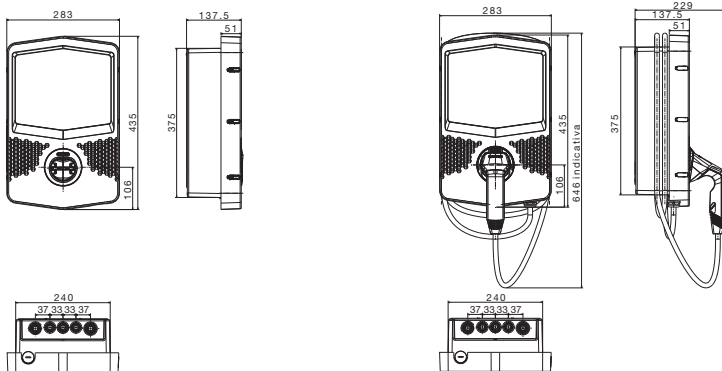
I-CON PREMIUM CLOUD - TECHNICAL CHARACTERISTICS

CODE	GWJ 3202 L GWJ 3202 W	GWJ 3204 L GWJ 3204 W	GWJ 3212 L GWJ 3212 W	GWJ 3214 L GWJ 3214 W
Charging mode (EN 61851)	Mode 3	Mode 3	Mode 3	Mode 3
Charging socket (EN 62196)	Type 2	Type 2	Type 2	Type 2
Connector type	Socket (IPxxD)	Socket (IPxxD)	Mobile connector	Mobile connector
Cable Length (if available)	N/A	N/A	5 meters	5 meters
ELECTRICAL RATING				
Power terminal block	3 x 16 mm ²	5 x 16 mm ²	3 x 16 mm ²	5 x 16 mm ²
Rated voltage	230V	400V	230V	400V
Maximum Current	32A	32A	32A	32A
Maximum power	7.4 kW	22 kW	7.4 kW	22 kW
User protection	DC Leak 6mA	DC Leak 6mA	DC Leak 6mA	DC Leak 6mA
Energy metering	Meter MID	Meter MID	Meter MID	Meter MID
Connectivity	ETH / Router 4G*	ETH / Router 4G*	ETH / Router 4G*	ETH / Router 4G*
Communication	OCPP 1.6 J	OCPP 1.6 J	OCPP 1.6 J	OCPP 1.6 J
Load management	Via OCPP with dedicated profile **	Via OCPP with dedicated profile **	Via OCPP with dedicated profile **	Via OCPP with dedicated profile **
Charging activation	RFID / APP	RFID / APP	RFID / APP	RFID / APP
Human Interface	Display + Slider touch	Display + Slider touch	Display + Slider touch	Display + Slider touch
MECHANICAL PROPERTIES				
Installation type	Wall-mounting (or flush-mounting with box, or floor with support)			
Material	Post-Industrial source thermoplastic			
IP protection	IP55			
Impact protection	IK10			
Operating temperature	-25°C / +50°C			
Available accessories				
Private/Public Load Management Kit	GWJ 8031			
Flush-mounting box	GWJ 8101			
Single-side floor support	GWJ 8102			
Double-sided floor support	GWJ 8103			
Protective cover	GWJ 8104			
RFID card	GWJ 8001			

(* Router 4G available in the codes with final termination "W".

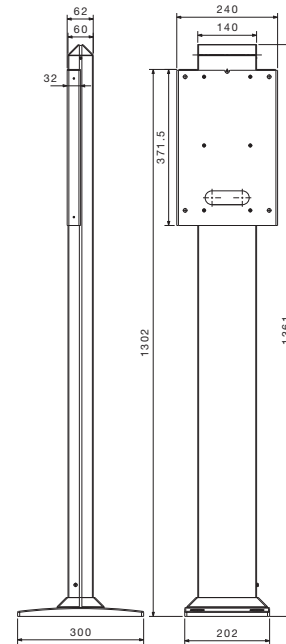
(**) The OCPP protocol, through the SMART CHARGING profile, allows the management of charging power dynamically.

DIMENSIONAL TABLES

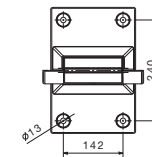
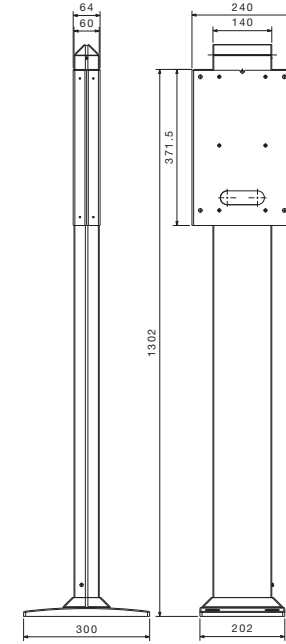


I-CON Accessories

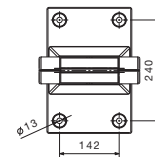
FLOOR SUPPORT - SINGLE-SIDED



FLOOR SUPPORT - DOUBLE-SIDED



GWJ8102

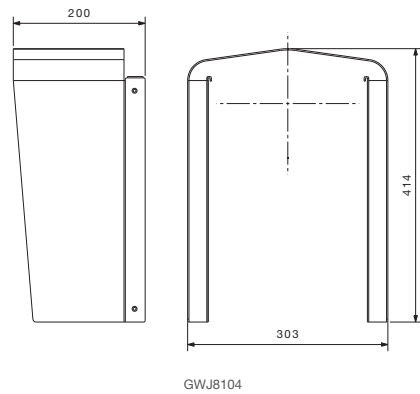


GWJ8103

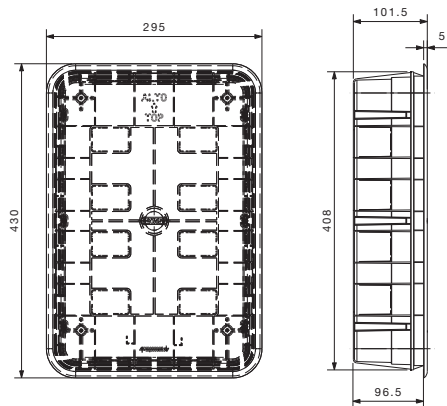


I-CON Accessories

PROTECTIVE COVER



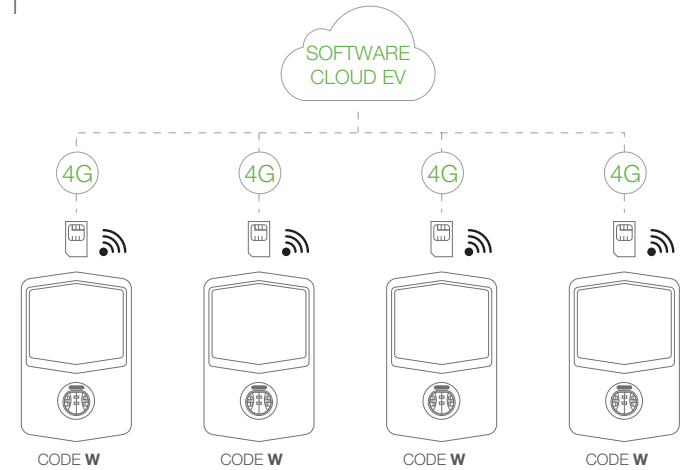
FLUSH-MOUNTING BOX



I-CON

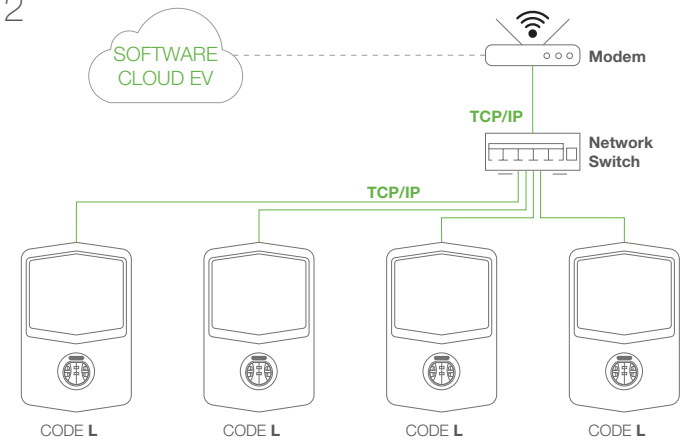
backend connection scheme

example 1



Charging stations are all equipped with Kit Router 4G (version «W») and communicate «Peer To Peer» with the communication backend via OCPP 1.6 JSON protocol.

example 2



The charging stations are all equipped with Ethernet Kit (version «L»), and are all wired in the centre of the star within a switch. Connectivity takes place through a Router available in the system.



JoinOn

load management system through site controller

Acquisition of charging power information

To dynamically limit the total power reserved for charging stations, the Site Controller records both the current on each phase of the “charging” station and the total power for each phase of the entire system in real time.

This also offers the possibility to consider other loads that are absorbing energy from the grid, for example: lights, heating, elevators or other.

On the one hand, electrical meters integrated into charging stations are used for a complete recording of measurements for EV charging, and at the same time, an additional electrical meter with TCP/IP capability is used to collect the total currents/powers (including the other loads mentioned above).

Maximum power management

The desired maximum total power is a parameter that can be defined and modified through the load management system from the JoinOn platform. Based on this value and also taking into account the other measured loads, the Site Controller calculates the residual charging power available and dynamically controls (every 30 seconds, adjustable) the charging powers of each individual charging process.

Phased charging balancing

Single-phase charging processes are recognized by the Site Controller and compensated as best as possible by reducing charging processes accordingly.

Gewiss site controller applications

With its load management functions, the Site Controller supports all applications for the construction of charging networks in public, semi-public or even private contexts (example: condominiums or Corporate) in order to always meet the required load limits.

- Primary storage 32GB 2.5” SSD.
- Windows 10 Home operating system - 64-bit.
- AC Power Adapter DC 12V, 60W - 3-pin Terminal.
- Memory (RAM) 4 GB SO-DIMM DDR3L 1600.
- Temperature -25°C ÷ 70°C.
- The **TCP/IP Energy Meter** (it is optional and must be purchased from Gewiss, necessary only when dynamic power management is required also considering the other loads in use on the site: lights, air conditioners, etc.);
- a **Router** (used to set the LAN network between charging stations, the TCP/IP energy meter and set up GSM communication with the JoinOn BackEnd. NOTE: charging stations do not need their own GSM communication, using the Site Controller it will operate as the Master of the system);
- a **12V DC Power Supply** (max 10A);
- a **Switch** for connecting all load management equipment and stations through LAN cables;

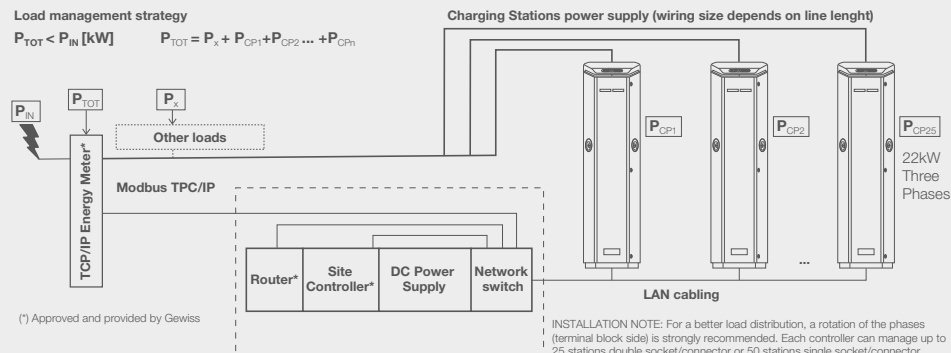
Components and technical data

The current load management system is as follows:

- **Site Controller** is the heart of the DLM load management system and allows the simultaneous management of max. 50 charging sockets. Device technical information:
 - DA-1000 Bay Trail Celeron J1900 Quad Core Platform motherboard.

For further information, please contact the SAT Technical Support Service.

system layout (site controller)



wiring layout (site controller)

